

Fisher™ HP Series Control Valves

HP (Globe Valve) HPA (Angle Valve)

- Balanced High-Temperature Trim
- Balanced Tight Shutoff Trim
- Unbalanced Trim

Fisher HP Series control valves are single-port, high-pressure, globe- or angle-style valves with metal seats, cage guides, and push-down-to-close valve plug action.

These valves are designed for high-pressure applications in process control industries such as power generation, hydrocarbon production, chemical processing, and refining.

HP Series valves have NACE compliant materials available. In certain sizes extra valve body wall thickness provides a safety margin of protection against erosion, as well as extra protection against corrosion due to chemical attack. Because these valves feature a thicker valve body wall, they are available in higher intermediate ratings with weld-end fittings.

Unless otherwise noted, all NACE references are to NACE MR0175-2002 and MR0103.

Balanced High-Temperature Trim

HPD and HPAD

These valves use a balanced valve plug with graphite piston rings and are well suited for general applications with process temperatures in excess of 232°C (450°F), where extremely tight shutoff is not required.



X0183-1

FISHER HP VALVE WITH 667 ACTUATOR AND
FIELDVUE™ DVC6200 DIGITAL VALVE CONTROLLER

Balanced Tight Shutoff Trim

HPT and HPAT

These valves use a balanced valve plug and offer excellent shutoff with process temperatures below 232°C (450°F). The temperature limits of HPT can be extended above 232°C (450°F) to 316°C (600°F) by using PEEK (PolyEtherEtherKetone) anti-extrusion rings in combination with a spring-loaded PTFE seal. The PEEK anti-extrusion rings expand to help close off the clearance gaps on the plug outside diameter and the cage inside diameter where the PTFE seal may extrude at high temperatures and pressures.

Specifications

Available Configurations⁽¹⁾ and Valve Sizes

See table 1

Common Characteristics: Designed according to: ■ ASME B16.34 Valve-Flanges, Threaded and Welded End and ■ ANSI/ISA-75.08.06

End Connections Styles⁽¹⁾

See table 1

Maximum Inlet Pressure and Temperature^(1,2)

Flanged, Socketweld, or Butt weld: Consistent with CL900, 1500, 2500, and 3200 according to ASME B16.34, unless limited by maximum pressure drop or material temperature capabilities

In addition, both steel HP and HPA valves with BWE and SWE connections have increased pressure/temperature ratings as shown in table 3

Maximum Pressure Drop⁽¹⁾

Valve with Standard Cage: See figure 13

Valve with Cavitrol™ III Cage: 149 bar (2160 psi) for two-stage and 207 bar (3000 psi) for three-stage cage. Consult Fisher Bulletin 80.2:030, Cavitrol III One-, Two-, and Three-Stage trims ([D100196X012](#)) for more information

Valve with Whisper Trim™ III Cage: 0.999 ΔP/P₁ maximum for levels A1 through D3

Valve with WhisperFlo™ Trim:
Levels X, Y, and Z: 0.999 ΔP/P₁ maximum

Shutoff Classifications

See table 4

Construction Materials

Valve Body and Bonnet:
■ WCC steel⁽³⁾, ■ WC9 Cr-Mo steel⁽³⁾, ■ C12A chrome-moly alloy, ■ CF8M, CD3MN, and CD3MWCuN stainless steel, and ■ LCC for low temperature service

Valve Plug, Cage, and Seat Ring: See table 12

Other Parts: See table 7

Consult your Emerson sales office or Local Business Partner for special trim and valve body material availability.

Material Temperature Capabilities⁽¹⁾

HPD, HPAD, HPS, and HPAS: Up to 593°C (1100°F) unless limited (see tables 7 and 12 and figure 13)
HPT and HPAT: Up to 316°C (600°F) unless limited (see tables 7 and 12 and figure 13)

Flow Characteristics⁽⁴⁾

Standard Cages: ■ Linear, ■ equal percentage, ■ modified equal percentage⁽⁵⁾

Cavitrol III, Whisper Trim III, and WhisperFlo Cages:
Linear

Micro-Flute: Equal percentage

Micro-Flat: Linear

Micro-Form: ■ Equal percentage, ■ modified equal percentage

Flow Direction

Standard Cage

■ HPD, HPAD: Normally flow down

■ HPS, HPAS: Normally flow up⁽⁶⁾

■ HPAS Micro-Flat: Flow down

■ HPS, HPAS Micro-Form: Flow up only

■ HPT, HPAT: Normally flow down

Cavitrol III Cage: Flow down

Whisper Trim III and WhisperFlo Cage: Flow up

Flow Coefficients

See table 2 and also Fisher Catalog 12

Noise Levels

See Fisher Catalog 12, Section 3 for noise prediction methods

Port Diameters, Valve Plug Travel, and Stem Diameters

See tables 5, 8, 9, and 11

- continued -

Specifications (continued)

Bonnet Style and Mounting⁽¹⁾

- **Standard Bonnet:** See figure 1
- Yoke Temperature Limit (NPS 2 through 6):** Standard bonnet with cast iron yoke is limited to 538°C (1000°F)
- **Optional Style 1—Extension Bonnet:** Used for NPS 1 and 2 valves for CL900 or 1500, and NPS 1 valves for CL2500 (see figures 15 and 16)

Packing Arrangements

- Single, ■ Double, and ■ Leakoff standard packing, or optional ■ ENVIRO-SEAL™ and ■ HIGH-SEAL packing systems. See figure 5. Also see Fisher bulletin 59.1:061, ENVIRO-SEAL and HIGH-SEAL Packing System for Sliding-Stem Valves ([D101633X012](#))

Yoke Boss Diameter for Actuator Mounting

See tables 5 and 10, and figures 14, 15, and 16

Approximate Weight

See table 6

Optional Safety Instrumented System Classification

HPD, HPS, HPAS, and HPT: SIL3 capable for NPS 2 through 6 - certified by exida Consulting LLC
HPAD and HPAT: SIL3 capable for only NPS 2 - certified by exida Consulting LLC

Options⁽¹⁾

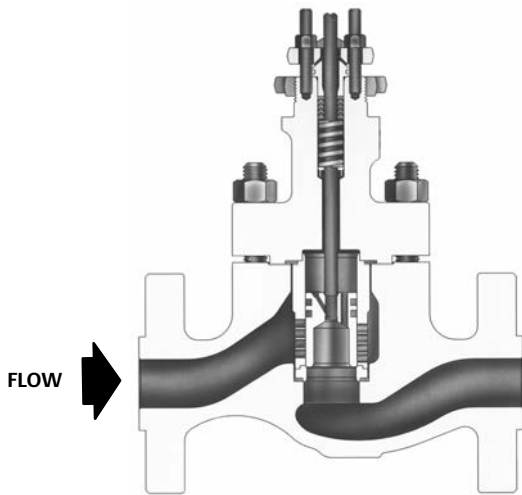
- Valves with weld-end fittings have increased pressure/temperature ratings, called intermediate ratings⁽⁷⁾, ■ Class V⁽⁶⁾ shutoff for HPT and HPAT to 316°C (600°F) using PEEK anti-extrusion rings⁽⁸⁾, ■ Class V shutoff for HPD and HPAD to 593°C (1100°F) using C-seal trim, ■ expanded ends⁽⁷⁾ for NPS 4 and 6 valves (NPS 4 valves are available with NPS 6 ends, and NPS 6 valves are available with NPS 8 ends), ■ lubricator or lubricator/isolating valve⁽⁷⁾

1. The pressure/temperature limits in this bulletin and any applicable standard limitations should not be exceeded.
2. EN (or other valve body material) ratings and end connections can usually be supplied; consult your Emerson sales office.
3. SA-105 and SA-182-F22 are used for CL2500 HPA valves instead of WCC and WC9.
4. Special characterized cages are available. Contact your Emerson sales office.
5. Modified equal percentage characteristic is equal percentage for the first 75% of travel, then opens quickly for additional capacity.
6. HPS valves may be used flow down for on-off service only. HPAS valves may be used for flow down in erosive service.
7. For more information contact your Emerson sales office.
8. Required for all boiler feedwater applications.

Table of Contents

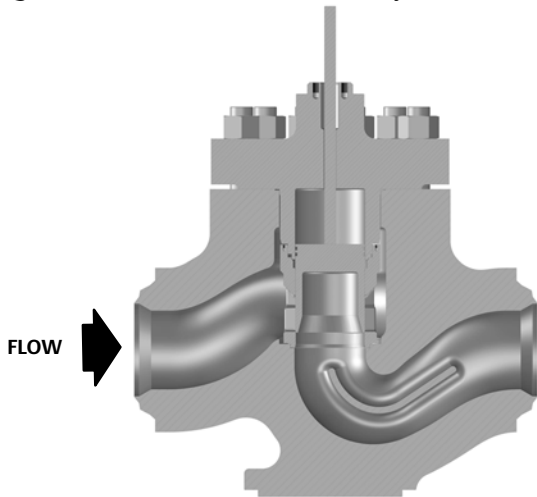
Balanced High-Temperature Trim	1	Material Selection Guidelines	9
Balanced Tight Shutoff Trim	1	Installation	9
Specifications	2	Packing	11
Unbalanced Trim	4	Trim Selection Guidelines	22
Expanded Ends	4	Trim Descriptions	24
Cavitrol, Whisper Trim		Pressure/Temperature Limits for	
and WhisperFlo Cages	4	Trim Material Combinations	28
Features	4	Dimensions	29

Figure 1. Fisher HPD Valve Assembly, NPS 2 to 6



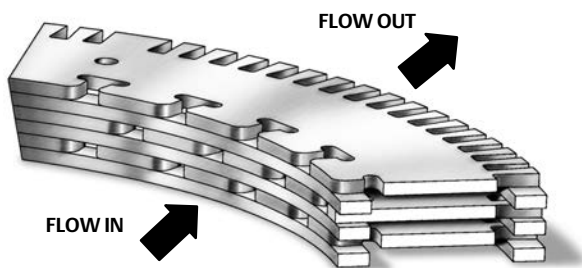
W5815A-1

Figure 2. Fisher HPD Valve Assembly, NPS 8 to 12



X1514

Figure 3. Typical WhisperFlo Trim Cut Section View for Fisher HP Valve



W7065

Unbalanced Trim

HPS and HPAS

These valves have an unbalanced plug and provide excellent shutoff.

Expanded Ends

Expanded ends are available on the NPS 4 and 6 CL900 and 1500 HP valves. The NPS 4 HP valve body is offered with NPS 6 ends. The NPS 6 valve body is offered with NPS 8 ends. Both flanged and buttweld end valve bodies are offered with expanded ends.

Cavitrol III, Whisper Trim III, and WhisperFlo Cages

To eliminate cavitation damage in a properly-sized valve, a Cavitrol III cage is available with HPS, HPAS, HPT, HPAT, and HPD control valves.

To help attenuate aerodynamic noise in gaseous service, Whisper Trim III and WhisperFlo (figure 3) cages are available with HPS, HPAS, HPT, HPAT, along with NPS 8 and 12 HPD and HPT control valves.

Contact your [Emerson sales office](#) or Local Business Partner for more information.

Features

- **Valve Plug Stability**— Rugged cage guiding provides increased valve plug stability, which reduces vibration and mechanical noise.
- **Full Pressure Drop Capability**—Rugged construction allows full pressure drop capability in HP series valves.
- **Spiral-Wound Gaskets for Excellent Sealing Under All Service Conditions**—Premium materials are used in the construction of spiral-wound gaskets for HP Series valves. These premium materials, which make up the standard spiral-wound gaskets, are N06600 (alloy 600)/graphite or N07750 (alloy X750)/graphite.

- **Compliance with the Clean Air Act**—Optional ENVIRO-SEAL packing systems (figure 5) provide an improved stem seal to help prevent the loss of valuable process fluid or emission of hazardous process fluid. The ENVIRO-SEAL packing systems feature PTFE or graphite ULF.
- **Piping Economy**—The availability of expanded end connections on NPS 4 and 6 HP valves may eliminate the need for line swages while accommodating oversized piping arrangements.
- **Quick Change Trim**—Maintenance is simple and can easily be performed using common tools. Trim components can be quickly removed and changed with no need for special tools.
- **Integrated Cage-Seat Ring Design**—Find this option on NPS 8, 10, and 12 valves offering easier maintenance and better shutoff. Option not available on angle NPS 8.
- **Standard Hard Trim Materials**—The cage, valve plug, and other trim parts are manufactured from hardened materials. This standard feature provides excellent wear resistance.
- **Increased Pressure/Temperature Ratings**— HP Series valves with weld-end fittings have increased pressure/temperature ratings, called intermediate ratings, as defined in ASME B16.34. The extra strength of these valves allows ratings higher than the standard CL900 or 1500 ratings specified in B16.34. The globe NPS 8 to 12 HP is available as a standard Intermediate ANSI Class 3200 to achieve higher pressure/temperature ratings. Not available on angle NPS 8. Contact your [Emerson sales office](#) for further information on intermediate ratings.
- **Trim Interchangeability**—Cavitrol III, Whisper Trim III, and WhisperFlo trims (figures 9, 10, and 12) are interchangeable with standard trims.
- **Control of Low Flow Rates/Tight Shutoff**—Micro-Flute and Micro-Form valve plugs (figures 7 and 8, respectively) provide superb rangeability in high-pressure, low-flow applications, while maintaining tight shutoff (table 4). A choice of several restricted port diameters helps to match valve body capacity to required flow, to provide necessary control with full travel, and to prevent throttling near the seat.

In low-flow applications where cavitation damage may occur, the Micro-Flat valve plug can be used with a special Cavitrol III cage. Contact your Emerson sales office or Local Business Partner for more information.
- **Smooth Control at High Pressure Drops**—Available on NPS 2 through 12 valves, balanced trim provides smooth control at high pressure drops.
- **High-Temperature Capability with Class V Shutoff**—Use of C-seal trim (see figure 6) permits Class V shutoff up to 593°C (1100°F) for NPS 2 through 6 HPD valves. Use of Bore-seal trim (see figure 6) permits Class V shutoff up to 593°C (1100°F) for NPS 8 through 12 HPD valves.
- **Sour Service Trims Available**—Long-lasting, erosion- and corrosion-resistant trims are available for control of sour service. These trims are offered with either a standard cage, a Cavitrol III cage, a Whisper Trim III cage, or WhisperFlo trim. Spiral-wound gasket construction is standard.

Table 1. Available Constructions

DESIGN	VALVE SIZE, NPS	PRESSURE RATING	VALVE BODY MATERIAL AND END CONNECTION STYLE ^(1, 2)	
			WCC, WC9, LCC, C12A, CF8M, CD3MN, and CD3MWCuN Stainless Steel Cast Valves	SA-105, SA-182-F22, SA-182-F316, S31803 F51, and S32760 F55 forged SST (for forged steel HPA CL2500 angle valves)
			RF or RTJ Flanged, Butt-weld, and Socket-weld ⁽³⁾	Socket-weld
HPAD	2 to 8	CL900 and 1500	X	---
	2	CL2500	---	X
HPAS	1 to 2	CL900 and 1500	X	---
		CL2500	---	X
HPAT	2 to 8	CL900 and 1500	X	---
	2	CL2500	---	X
HPD	2 to 6	CL900 and 1500	X	---
	2	CL2500	X	---
	8 to 12	CL900, 1500, and 2500	X	---
	8 to 12	CL3200	X ⁽⁴⁾	---
HPS	1 to 3	CL900 and 1500	X	---
	1 to 2	CL2500	X	---
HPT	2 to 6	CL900 and 1500	X	---
	2	CL2500	X	---
	8 to 12	CL900, 1500, and 2500	X	---
	8 to 12	CL3200	X ⁽⁴⁾	---

X = Available Construction.
 1. End connection style abbreviations: RF - Raised Face, RTJ - Ring Type Joint.
 2. EN (or other valve body material) ratings and end connections can usually be supplied; consult your Emerson sales office.
 3. Socket-weld available on NPS 1, 1-1/2, and 2 only.
 4. Only butt-weld end available.

Table 2. Typical Flow Coefficients⁽¹⁾

Valve Size, NPS	Valve Style	Characteristic	Maximum Cv
1	HP CL1500	M-Form Modified Equal Percentage (HPS)	17.1
2	HP CL1500	Linear (HPS)	54.6
3	HP CL1500	Linear (HPS)	127
4	HP CL1500	Modified Equal Percentage	203
6	HP CL1500	Linear	425
8	HP CL900 and CL1500	Equal Percentage	449
		Linear	767
10	HP CL900 and CL1500	Equal Percentage	723
		Linear	973
12	HP CL900 and CL1500	Equal Percentage	949
		Linear	1337
1	HP CL2500	M-Form Modified Equal Percentage (HPS)	13.8
2	HP CL2500	Linear (HPS)	40.9
8	HP CL2500 and CL3200	Equal Percentage	582
		Linear	560
10	HP CL2500 and CL3200	Equal Percentage	651
		Linear	682
12	HP CL2500 and CL3200	Equal Percentage	1083
		Linear	1232
1	HPA CL1500	M-Form Modified Equal Percentage (HPAS)	19.5
2	HPA CL1500	Linear (HPAS)	73.6
3	HPA CL1500	Linear	64.3
4	HPA CL1500	Linear	121
6	HPA CL1500	Modified Equal Percentage	203
8	HPA CL1500	Linear	425
1	HPA CL2500	M-Form Modified Equal Percentage (HPAS)	14.3
2	HPA CL2500	Linear (HPAS)	56.2

1. See Catalog 12 for a complete listing of flow coefficients.

Table 3. Increased Pressure/Temperature Ratings for Steel Valves with BWE and SWE Connections⁽¹⁾

Valve Type	Valve Size, NPS	Pressure Rating	Intermediate Rating (ASME B16.34)	
Globe Valves	1	CL900 CL1500	1675	
		CL2500	2800	
	2	CL900 CL1500	1694	
		3	CL1500	1578
		4	CL1500	2017
		6	CL1500	1876
		8	CL3200	3200
		10	CL3200	3200
		12	CL3200	3200

1. Contact your [Emerson sales office](#) for further information on intermediate ratings.

Table 4. Shutoff Classifications per ANSI/FCI 70-2 and IEC 60534-4

Valve Design		Port Diameter, mm (Inches)		ANSI/FCI and IEC Leakage Class	
HPD, HPAD		47.6 (1.875)		II	
		58.7 (2.3125) to 92.1 (3.625)		II - Standard	
				III - Optional	
		111.1 (4.375) and larger		III - Standard	
				IV - Optional ⁽²⁾	
HPD, HPAD w/ C-seal trim	Valve Size, NPS		Port Diameter, mm (Inches)	Cage Style	ANSI/FCI and IEC Leakage Class
	HPD	HPAD			
	3	4	73 (2.875)	Eq. %, Mod. Eq. %, Linear (std. cage), Linear (Whisper III, A1, B1)	V - Standard to 593°C (1100°F) (for port diameters from 73 mm [2.875 inch] through 136.5 mm [5.375 inch] with optional C-seal trim) IV - Optional (for port diameters 73 mm [2.875 inch] through 136.5 mm [5.375 inch])
	4	6	73 (2.875)	Linear (Whisper III, D3)	
			92.1 (3.625)	Eq. %, Mod. Eq. %, Linear (std. cage), Linear (Whisper III, A1, B3, C3)	
	6	8	111.1 (4.375)	Linear (Whisper III, D3)	
			136.5 (5.375)	Eq. %, Mod. Eq. %, Linear (std. cage), Linear (Whisper III, A1, B3, C3)	
HPD w/ Bore-seal trim	Valve Size, NPS		Port Diameter, mm (Inches)	Cage Style	ANSI/FCI and IEC Leakage Class
	HPD	HPT			
	8	---	139.7 (5.5)	Eq. %, Linear (std. cage), Whisper III, Cavitrol III	V - Standard to 593°C (1100°F) (for port diameters from 139.7 mm [5.5 inch] through 203.2 mm [8 inch] with optional Bore-seal trim)
			152.4 (6)		
	10	---	165.1 (6.5)		
			177.8 (7)		
	12	---	190.5 (7.5)		
			203.2 (8)		
HPS, HPAS, HPT, HPAT		All		Cavitrol III and Micro-Flat	V - Standard
				Micro-Form, Micro-Flute, Eq. %, Mod Eq. %, Linear, Whisper III	IV - Standard V - Optional
HPS and HPT w/ TSO (Tight Shutoff trim)		See table 5		See table 5	TSO - Optional TSO is not an ANSI/FCI or IEC leakage class. Valves with TSO trim are factory tested to a more stringent Fisher test requirement of no leakage at time of shipment. Test medium is water. Specify service ΔP when ordering. Test procedure is ANSI/FCI Class V test procedure B
HPT and HPAT w/ PEEK ⁽¹⁾ Anti-Extrusion Rings		47.6 (1.875) to 136.5 (5.375)		All	V - Standard (to 316°C [600°F]) IV - Optional (47.6 mm [1.875 inch] through 136.5 mm [5.375 inch] ports)

1. PEEK (PolyEtherEtherKetone), required for all boiler feedwater applications.
2. NPS 8, 10, 12 Class IV comes with bore seal.

Material Selection Guidelines

Use the following steps as a guideline for the selection of materials:

1. Determine the pressure/temperature rating of the valve body size and material required. Inlet pressure and temperature must always be limited by the applicable ASME pressure/temperature rating.
2. Select the desired trim style from the Available Configurations specification and from table 4, Shutoff Classifications.
3. Select desired materials from tables 7, 8, 11, and 12 and figure 13. The temperature capabilities determined from figure 13 may be further limited by the temperature capabilities of materials selected

from tables 7 and 12. Refer to figure 13 to determine pressure drop limits of the valve body-trim combinations selected.

Installation

The valve must be installed so flow through the valve is as indicated by the flow direction arrow on the valve body. Consideration should be given to installing an upstream strainer, especially if the valve uses a Cavitrol III cage, Whisper Trim III, or WhisperFlo trim.

Overall dimensions are shown in figures 14, 15, and 16. Face-to-face dimensions are in compliance with ANSI/ISA-75.08.06. Actual end connection dimensions conform to ASME B16.25 for butt weld ends and to ASME B16.5 for flanged ends.

Table 5. Port Diameters, Valve Plug Travel, Yoke Boss Diameters for TSO (Tight Shutoff) Trim

VALVE TYPE	TRIM	MAX TRAVEL		YOKE BOSS SIZE		PORT DIAMETER				C _v REDUCTION AT 100% TRAVEL ⁽¹⁾	UNBALANCE AREA
		mm	Inch	mm	Inch	Nominal		Actual TSO			
						mm	Inch	mm	Inch		mm
Balanced Plugs—Flow Down Only											
HPT NPS 3 ⁽²⁾	CAV III 3-Stage	63.5	2.5	90	3-9/16	47.6	1.875	42.9	1.6875	5%	0.031
HPT NPS 4	CAV III 3-Stage	76.2	3	90 127	3-9/16 5	73.0	2.875	68.3	2.6875	2%	0.047
HPT NPS 6	CAV III 3-Stage	102	4	90 127	3-9/16 5	116	4.5625	111	4.375	0%	0.080
	Standard	76.2	3	90 127	3-9/16 5	137	5.375	132	5.1875	4%	0.206
Unbalanced Plugs—Flow Down Only											
HPS NPS 2	CAV III 3-Stage	50.8	2	90	3-9/16	25.4	1	26.2	0.8125	0%	0.785

1. This column lists the percent reduction of published maximum C_v of the trim listed in the TRIM column.
2. Not available with 5-inch yoke boss.

Figure 4. Typical Balanced TSO Trim

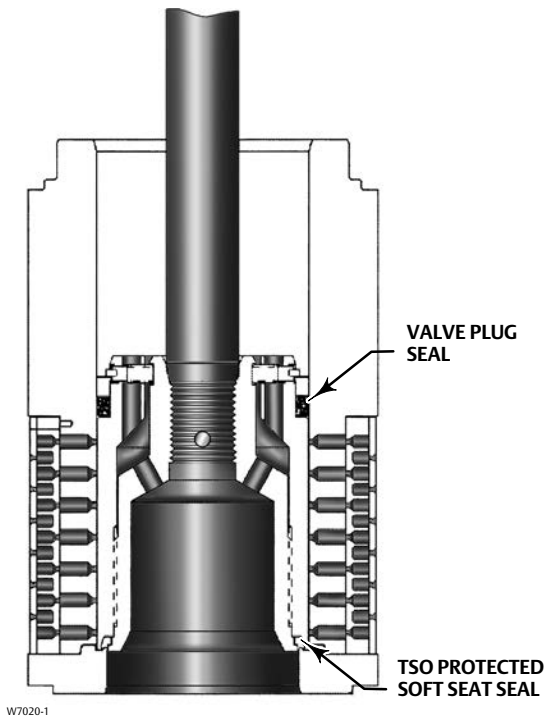
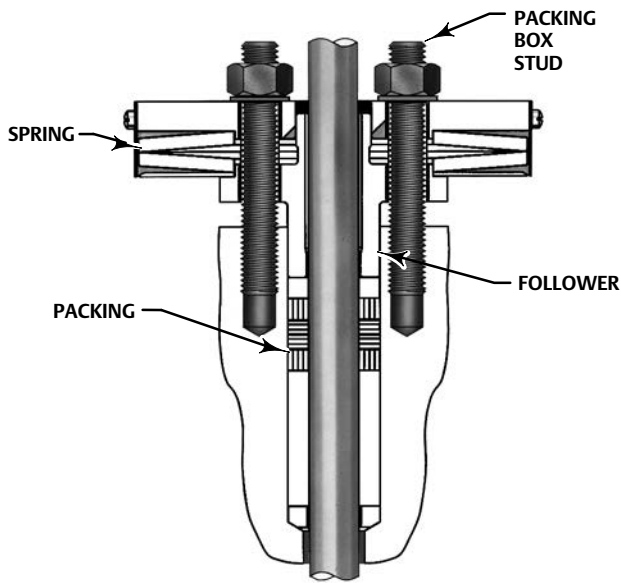
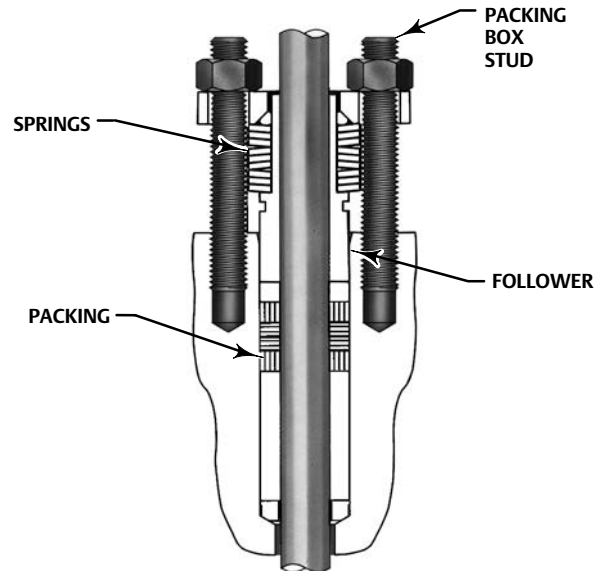


Figure 5. ENVIRO-SEAL and HIGH-SEAL Packing Systems



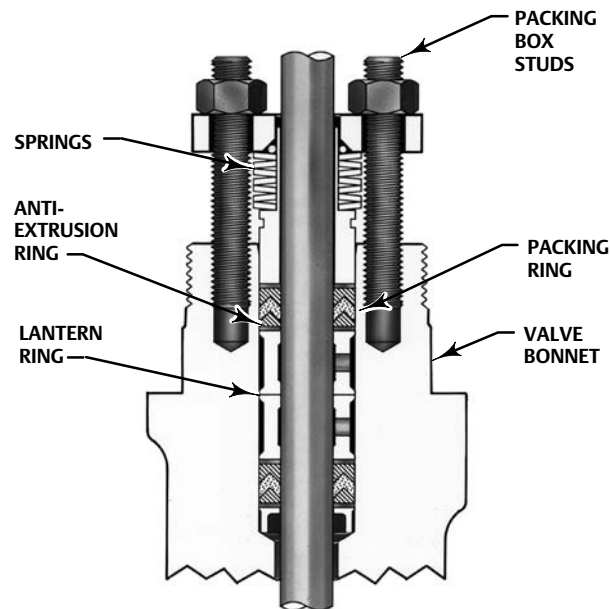
W8533-1

TYPICAL HIGH-SEAL PACKING SYSTEM
WITH GRAPHITE ULF PACKING



W8532-1

TYPICAL ENVIRO-SEAL PACKING SYSTEM
WITH GRAPHITE ULF PACKING



W5803-3

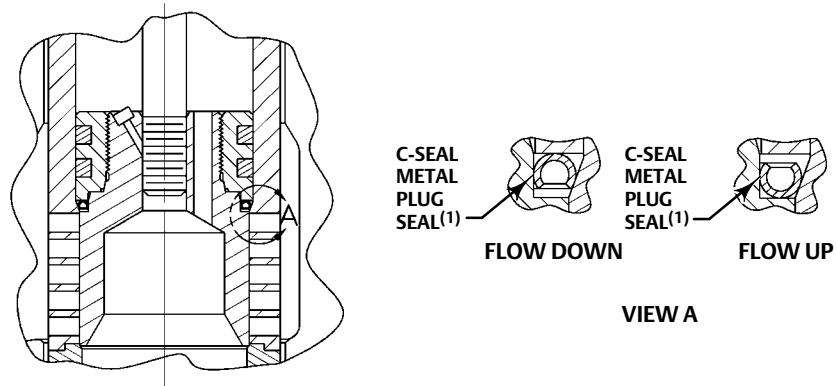
TYPICAL ENVIRO-SEAL PACKING SYSTEM
WITH PTFE PACKING

Table 6. Approximate Weights (Valve and Bonnet Assemblies)

VALVE TYPE	VALVE SIZE, NPS	PRESSURE RATING	KILOGRAMS		POUNDS	
			Flg	SWE, BWE	Flg	SWE, BWE
Globe Valves	1	CL900 and 1500	42	38	93	85
		CL2500	45	34	100	76
	1-1/2 x 2	CL2500	---	34	---	76
		CL900 and 1500	72	52	158	115
	2	CL2500	104	74	229	164
		CL900	125	---	276	---
	3	CL1500	129	97	284	213
		CL900	230	---	507	---
	4	CL1500	249	201	548	444
		CL900	511	---	1127	---
	6	CL1500	557	455	1228	1003
		CL900	720	580	1587	1279
	8	CL1500	940	720	2072	1587
		CL2500	1550	1070	3417	2359
		CL3200	---	1350	---	2976
		CL900	1110	880	2247	1940
	10	CL1500	1470	1110	3241	2447
		CL2500	2480	1650	5467	3638
		CL3200	---	2070	---	4564
		CL900	1490	1150	3285	2535
12	CL1500	1990	1480	4387	3263	
	CL2500	3320	2190	7319	4828	
	CL3200	---	2810	---	6195	
	CL900 and 1500	40	36	88	80	
Angle Valves	1	CL2500	---	72 ⁽¹⁾	---	160 ⁽¹⁾
		CL900 and 1500	69	50	153	110
	2	CL2500	---	109 ⁽¹⁾	---	240 ⁽¹⁾
		CL1500	123	78	272	173
	4	CL1500	181	117	399	258
	6	CL1500	357	202	788	445
	8	CL1500	648	405	1428	893

1. Only SWE is available for CL2500.

Figure 6. C-seal Trim



3781399-A

NOTE:

1. Reverse the orientation of the C-seal plug seal for proper shutoff when valve is used in a process with different fluid flow direction.

Table 7. Construction Materials and Temperature Capabilities for Parts Other than Valve Body

PART		MATERIAL	TEMPERATURE CAPABILITIES	
			°C	°F
Valve plug, cage, and seat ring		See table 12	See table 12 and figure 12	
Valve plug stem		S20910	-198 to 593	-325 to 1100
		S32760	-51 to 316	-60 to 600
HPD piston ring		Graphite (FMS 17F27)	-46 to 427 (to 482 for nonoxidizing service)	-50 to 800 (to 900 for nonoxidizing service)
		Graphite (FMS 17F39) ⁽⁶⁾	-46 to 538 (to 593 for nonoxidizing service)	-50 to 1000 (to 1100 for nonoxidizing service)
Spring-loaded HPT or HPAT valve plug seal	Backup ring	S41600 (416 SST)	-29 to 427	-20 to 800
		S31600 (316 SST)	-198 to 593	-325 to 1100
	Retaining ring	S30200 (302 SST) N07750 (NACE)	-254 to 593	-425 to 1100
		Seal ring	PTFE with N10276 Spring	-73 to 232 ⁽⁵⁾
	PTFE with R30003 Spring ⁽⁷⁾		-73 to 316	-100 to 600
Anti-extrusion rings	PEEK (PolyEtherEtherKetone)	-73 to 316	-100 to 600	
Cage gasket		N06600/Graphite	-240 to 593	-400 to 1100
TSO protected soft seat seal		Carbon-filled PTFE	-73 to 232	-100 to 450
Seat ring gasket		N06600/Graphite	-240 to 593	-400 to 1100
		S31600/Graphite	-240 to 593	-400 to 1100
Valve Body-to-bonnet bolting ⁽¹⁾	Studs Nuts	Steel SA193-B7 NCF2 (all valve body materials) Steel SA194-2H NCF2(all valve body materials)	-29 to 427 (WCC and WC9)	-20 to 800 (WCC and WC9)
			-46 to 371 (LCC)	-50 to 700 (LCC)
	Studs Nuts	Steel SA193-B7M NCF2 for sour service Steel SA194-2HM NCF2 for sour service	-29 to 427 (WCC)	-20 to 800 (WCC)
			-46 to 371 (LCC)	-50 to 700 (LCC)
	Studs Nuts	Steel SA193-B16 (WC9 and C12A valve body mat'ls) Steel SA194-7	-29 to 510	-20 to 950
			Studs Nuts	N07718 SST (SB637) ⁽³⁾⁽⁸⁾ Steel SA194-7
-29 to 593 (C12A)	-20 to 1100 (C12A)			
Studs Nuts	S31600 stainless steel SA193-B8M (strain hardened) (CF8M valve body mat'ls) ⁽⁴⁾ S31600 stainless steel SA194-8M (CF8M valve body mat'ls) ⁽⁴⁾	-198 to 427	-325 to 800	
		Studs Nuts	S20910 SST (SA479-XM-19) ⁽³⁾⁽⁹⁾ (CF8M valve body mat'ls) Steel SA194-7	-198 to 593
Packing				PTFE V-ring
		Graphite ribbon filament (oxidizing service to 371°C [700°F])	-254 to 538	-425 to 1000
		Graphite ribbon (high-temperature oxidizing service)	371 to 593	700 to 1100
Packing follower, spring, or lantern ring		S31600 stainless steel	-254 to 593	-425 to 1100
Packing box ring		S31600 stainless steel	-254 to 593	-425 to 1100
Packing flange, studs, or nuts		Steel	-29 to 427	-20 to 800
		S31600 stainless steel	-198 to 593	-325 to 1100

1. Valve body materials with which these bolting materials may be used are shown in parentheses.
2. Steel studs and nuts with NCF (non-corroding finish) coating are used with NPS 4 and 6 CF8M valve bodies.
3. These stud materials are not listed in ASME B16.34.
4. For valve sizes up through NPS 3.
5. If used with PEEK anti-extrusion rings, PTFE/carbon seal ring may be used in temperatures up to 316°C (600°F) for non-oxidizing service or up to 260°C (500°F) for oxidizing service.
6. NPS 8, 10, 12 HPD and HPT come standard with Graphite (FMS 17F39) piston ring.
7. Only offered in NPS 8, 10 and 12 HPT.
8. Steel SA193-B16 studs are note available with C12A NPS 8, 10, and 12.
9. S20910SST studs available for NPS 2 through 6 globe and NPS 8 angle, are not available for NPS 8, 10, and 12 globe valves.

Table 8. Additional Globe Valve Specifications

VALVE SIZE, NPS	FLOW CHARACTERISTIC	VALVE BODY DESIGN AND PLUG STYLE	PORT DIAMETER		VALVE PLUG TRAVEL		VALVE STEM DIAMETER	
			mm	Inches	mm	Inches	mm	Inches
1	Equal percentage	HPS w/Micro-Flute	6.4 12.7	0.25 0.5	19 19	0.75 0.75	12.7 12.7	1/2 1/2
		HPS w/Micro-Form	6.4 12.7 19.1	0.25 0.5 0.75	19 19 19	0.75 0.75 0.75	12.7 12.7 12.7, 19.1	1/2 1/2 1/2, 3/4
	Modified equal percentage	HPS w/Micro-Form	19.1 25.4	0.75 1	29 29	1.125 1.125	12.7, 19.1 12.7, 19.1	1/2, 3/4 1/2, 3/4
	Linear (cage style: Cavitrol III, 2-stage)	HPS	22.2	0.875	38	1.5	12.7, 19.1	1/2, 3/4
2	Equal percentage	HPS w/Micro-Form	6.4 12.7 19.1	0.25 0.5 0.75	19 19 19	0.75 0.75 0.75	12.7 12.7 12.7, 19.1	1/2 1/2 1/2, 3/4
		HPS	47.6	1.875	29	1.125	12.7, 19.1, 25.4 ⁽¹⁾	1/2, 3/4, 1 ⁽¹⁾
	Linear (cage style: Std)	HPS, HPD, HPT	47.6	1.875	38	1.5	12.7, 19.1, 25.4 ⁽¹⁾	1/2, 3/4, 1 ⁽¹⁾
	Linear (cage style: Whisper Trim III, level A1)							
	Modified equal percentage	HPS w/Micro-Form	25.4 31.8 38.1	1 1.25 1.5	29 29 38	1.125 1.125 1.5	12.7, 19.1, 25.4 12.7, 19.1, 25.4 12.7, 19.1, 25.4	1/2, 3/4, 1 1/2, 3/4, 1 1/2, 3/4, 1
		HPS, HPD, HPT	47.6	1.875	38	1.5	12.7, 19.1, 25.4 ⁽¹⁾	1/2, 3/4, 1 ⁽¹⁾
	Linear (cage style: Cavitrol III, 2-stage)	HPT	44.5	1.75	51	2	12.7, 19.1	1/2, 3/4
Linear (cage style: Cavitrol III, 3-stage)	HPS	25.4	1	51	2	19.1	3/4	
3	Modified equal percentage	HPD, HPT	73	2.875	51	2	12.7, 19.1, 25.4	1/2, 3/4, 1
	Linear (cage style: Std)							
	Linear (cage style: Whisper Trim III, level A1, B1)							
	Linear (cage style: Cavitrol III, 2-stage)	HPT	63.5	2.5	64	2.5	12.7, 19.1, 25.4	1/2, 3/4, 1
	Linear (cage style: Cavitrol III, 3-stage)		47.6	1.875	64	2.5	12.7, 19.1, 25.4	1/2, 3/4, 1
4	Modified equal percentage	HPD, HPT	92.1	3.625	51	2	19.1, 25.4	3/4, 1
	Linear (cage style: Std)							
	Linear (cage style: Whisper Trim III level A1, A3, B3, C3)							
	Linear (cage style: Whisper Trim III level D3)	HPT	73	2.875	51	2	19.1, 25.4	3/4, 1
	Linear (cage style: Cavitrol III, 2-stage)		87.3	3.4375	76	3	19.1, 25.4	3/4, 1
	Linear (cage style: Cavitrol III, 3-stage)		73	2.875	76	3	19.1, 25.4	3/4, 1

-continued-

Table 8. Additional Globe Valve Specifications (Continued)

VALVE SIZE, NPS	FLOW CHARACTERISTIC	VALVE BODY DESIGN AND PLUG STYLE	PORT DIAMETER		VALVE PLUG TRAVEL		VALVE STEM DIAMETER	
			mm	Inches	mm	Inches	mm	Inches
6	Modified equal percentage ⁽²⁾	HPD, HPT	136.5	5.375	76	3	19.1, 25.4, 31.8	3/4, 1, 1-1/4
	Linear (cage style: Std)		136.5	5.375	76	3	25.4, 31.8	1, 1-1/4
	Linear (cage style: Whisper Trim III, level A1, B3, C3)							
	Linear (cage style: Whisper Trim III, level D3)							
	Linear (cage style: Cavitrol III, 2-stage)							
	Linear (cage style: Cavitrol III, 3-stage)							
8	Equal Percent	HPD, HPT	152.4	6	76.2	3	25.4, 31.75	1, 1-1/4
			139.7	5.5	101.6	4	32.75, 50.8	1-1/4, 2
	Linear (cage style: Std)		152.4	6	76.2	3	25.4, 31.75	1, 1-1/4
			139.7	5.5	76.2	3	32.75, 50.8	1-1/4, 2
	Linear (cage style: Whisper Trim III, level A1, A3)		152.4	6	101.6	4	25.4, 31.75	1, 1-1/4
			139.7	5.5	101.6	4	32.75, 50.8	1-1/4, 2
	Linear (cage style: Whisper Trim III, level B1, B3, C1, C3, D3)		152.4	6	127	5	25.4, 31.75	1, 1-1/4
			139.7	5.5	127	5	32.75, 50.8	1-1/4, 2
	Linear (cage style: Cavitrol III 2-stage)		152.4	6	127	5	25.4, 31.75	1, 1-1/4
			139.7	5.5	127	5	32.75, 50.8	1-1/4, 2
	Linear (cage style: Cavitrol III 3-stage)		152.4	6	127	5	25.4, 31.75	1, 1-1/4
			139.7	5.5	127	5	32.75, 50.8	1-1/4, 2
10	Equal Percent	HPD, HPT	177.8	7	101.6	4	25.4, 31.75	1, 1-1/4
			165.1	6.5	101.6	4	32.75, 50.8	1-1/4, 2
	Linear (cage style: Std)		177.8	7	101.6	4	25.4, 31.75	1, 1-1/4
			165.1	6.5	76.2	3	32.75, 50.8	1-1/4, 2
	Linear (cage style: Whisper Trim III, level A1, A3)		177.8	7	101.6	4	25.4, 31.75	1, 1-1/4
			165.1	6.5	101.6	4	32.75, 50.8	1-1/4, 2
	Linear (cage style: Whisper Trim III, level B1, B3, C1, C3, D3)		177.8	7	127	5	25.4, 31.75	1, 1-1/4
			165.1	6.5	127	5	32.75, 50.8	1-1/4, 2
	Linear (cage style: Cavitrol III 2-stage)		177.8	7	127	5	25.4, 31.75	1, 1-1/4
			165.1	6.5	127	5	32.75, 50.8	1-1/4, 2
	Linear (cage style: Cavitrol III 3-stage)		177.8	7	127	5	25.4, 31.75	1, 1-1/4
			165.1	6.5	127	5	32.75, 50.8	1-1/4, 2

-continued-

Table 8. Additional Globe Valve Specifications (Continued)

VALVE SIZE, NPS	FLOW CHARACTERISTIC	VALVE BODY DESIGN AND PLUG STYLE	PORT DIAMETER		VALVE PLUG TRAVEL		VALVE STEM DIAMETER	
			mm	Inches	mm	Inches	mm	Inches
12	Equal Percent	HPD, HPT	203.2	8	101.6	4	CL900: 25.4, 31.75 CL1500: 25.4, 31.75, 50.8	CL900: 1, 1-1/4 CL1500: 1, 1-1/4, 2
			190.5	7.5	127	5	32.75, 50.8	1-1/4, 2
	Linear (cage style: Std)		203.2	8	101.6	4	CL900: 25.4, 31.75 CL1500: 25.4, 31.75, 50.8	CL900: 1, 1-1/4 CL1500: 1, 1-1/4, 2
			190.5	7.5	127	5	32.75, 50.8	1-1/4, 2
	Linear (cage style: Whisper Trim III, level A1, A3)		203.2	8	127	5	CL900: 25.4, 31.75 CL1500: 25.4, 31.75, 50.8	CL900: 1, 1-1/4 CL1500: 1, 1-1/4, 2
			190.5	7.5	127	5	32.75, 50.8	1-1/4, 2
	Linear (cage style: Whisper Trim III, level B1, B3, C1, C3, D3)		203.2	8	152.4	6	CL900: 25.4, 31.75 CL1500: 25.4, 31.75, 50.8	CL900: 1, 1-1/4 CL1500: 1, 1-1/4, 2
			190.5	7.5	152.4	6	32.75, 50.8	1-1/4, 2
	Linear (cage style: Cavitrol III 2-stage)		203.2	8	152.4	6	CL900: 25.4, 31.75 CL1500: 25.4, 31.75, 50.8	CL900: 1, 1-1/4 CL1500: 1, 1-1/4, 2
			190.5	7.5	152.4	6	32.75, 50.8	1-1/4, 2
	Linear (cage style: Cavitrol III 3-stage)		203.2	8	152.4	6	CL900: 25.4, 31.75 CL1500: 25.4, 31.75, 50.8	CL900: 1, 1-1/4 CL1500: 1, 1-1/4, 2
			190.5	7.5	152.4	6	32.75, 50.8	1-1/4, 2

1. Available only with HPS valve.
2. The first 75% is equal percentage.

Table 9. Valve Stem Travels for CL2500/CL3200 Globe Valves

VALVE SIZE, NPS	VALVE DESIGN / PLUG STYLE	CHARACTERISTIC	PORT DIAMETER		MAXIMUM VALVE STEM TRAVEL	
			mm	Inches	mm	Inches
1	HPS / Micro-Form or Micro-Flute	Equal Percentage	6.4, 9.5, 12.7, 19.1, 25.4	0.25, 0.375, 0.5, 0.75, 1	19.1	0.75
		Modified Equal Percentage	6.4, 9.5, 12.7, 19.1, 25.4	0.25, 0.375, 0.5, 0.75, 1	25.4	1
2	HPS / Micro-Form	Equal Percentage	6.4, 19.1, 25.4, 31.8	0.25, 0.75, 1, 1.25	19.1	0.75
		Modified Equal Percentage	6.4, 19.1, 25.4, 31.8	0.25, 0.75, 1, 1.25	28.6	1.125
	HPS / Micro-Form	Equal Percentage	38.1	1.5	28.6	1.125
		Modified Equal Percentage	38.1	1.5	38.1	1.5
	HPS	Linear	47.6	1.875	25.4	1
		Equal Percentage				
		Modified Equal Percentage				
	HPD, HPT	Linear	47.6	1.875	25.4	1
		Equal Percentage				
		Modified Equal Percentage				
8	HPD, HPT	Equal Percentage	139.7	5.5	76.2	4
		Linear (cage style: std)	139.7	5.5	76.2	3
		Linear (cage style: Whisper Trim III, level A1, A3, B1, B3, C1, C3, D3)	139.7	5.5	127	5
		Linear (cage style: Cavitrol III 2-stage, 3-stage)	139.7	5.5	127	5
10	HPD, HPT	Equal Percent	165.1	6.5	76.2	4
		Linear (cage style: std)	165.1	6.5	76.2	3
		Linear (cage style: Whisper Trim III, level A1, A3, B1, B3, C1, C3, D3)	165.1	6.5	127	5
		Linear (cage style: Cavitrol III 2-stage, 3-stage)	165.1	6.5	127	5
12	HPD, HPT	Equal Percent	190.5	7.5	101.6	5
		Linear (cage style: std)	190.5	7.5	101.6	5
		Linear (cage style: Whisper Trim III, level A1, A3, B1, B3, C1, C3, D3)	190.5	7.5	152.4	6
		Linear (cage style: Cavitrol III 2-stage, 3-stage)	190.5	7.5	152.4	6

Table 10. Globe and Angle Valve Yoke Boss and Valve Stem Diameter Combinations⁽¹⁾

VALVE SIZE, NPS	STANDARD DIAMETERS				OPTIONAL DIAMETERS			
	mm		Inches		mm		Inches	
	Stem	Yoke Boss	Stem	Yoke Boss	Stem	Yoke Boss	Stem	Yoke Boss
1	12.7	71	0.5	2-13/16	19.1	90	0.75	3-9/16
2	12.7	71	0.5	2-13/16	25.4	127	1	5
	19.1	90	0.75	3-9/16				
3	19.1	90	0.75	3-9/16	12.7	71	0.5	2-13/16
					25.4	127	1	5
4	19.1	90	0.75	3-9/16	25.4	127	1	5
6	25.4	127	1	5	19.1	71	0.75	3-9/16
	31.8	127	1.25	5				
8 ⁽²⁾	25.4	127	1	5	19.1	71	0.75	3-9/16
	31.8	127	1.25	5				
8	31.75	127	1.25	5H	25.4	127	1	5
					50.8	177.8	2	7
10	31.75	127	1.25	5H	25.4	127	1	5
					50.8	177.8	2	7
12	31.75	127	1.25	5H	25.4	127	1	5
					50.8	177.8	2	7

1. See tables 8, 9, and 11 for valve stem diameters available for specific constructions.
2. Angle valve construction only (HPAD, HPAT).

Table 11. Additional Angle Valve Specifications

VALVE SIZE, NPS	FLOW CHARACTERISTIC	VALVE BODY DESIGN AND PLUG STYLE	FLOW DIRECTION	PORT DIAMETER		VALVE PLUG TRAVEL		VALVE STEM DIAMETER	
				mm	Inches	mm	Inches	mm	Inches
1	Equal percentage	HPAS w/Micro-Flute	Up ⁽²⁾	6.4	0.25	19	0.75	12.7	1/2
				9.5	0.375	19	0.75	12.7	1/2
				12.7	0.5	19	0.75	12.7	1/2
		HPAS w/Micro-Form	Up	6.4	0.25	19	0.75	12.7	1/2
				12.7	0.5	19	0.75	12.7	1/2
				19.1	0.75	19	0.75	12.7, 19.1	1/2, 3/4
	HPAS, equal percentage characterized cage	Down	19.1	0.75	19	0.75	19.1	3/4	
	Modified equal percentage	HPAS w/Micro-Form	Up	12.7	0.5	29	1.125	12.7	1/2
				19.1	0.75	29	1.125	12.7, 19.1	1/2, 3/4
	25.4			1	29	1.125	12.7, 19.1	1/2, 3/4	
Linear (cage style: Std)	HPAS w/ Micro-Flat	Down	19.1	0.75	29	1.125	19.1	3/4	
			9.5	0.375	19	0.75	12.7	1/2	
			12.7	0.5	19	0.75	12.7	1/2	
Linear (cage style: Cavitrol III, 2-stage)	HPAS	Down	19.1	0.75	29	1.125	19.1	3/4	
			22.2	0.875	38	1.5	12.7, 19.1	1/2, 3/4	
2	Equal percentage	HPAS w/Micro-Flute	Up ⁽²⁾	6.4	0.25	19	0.75	12.7	1/2
				9.5	0.375	19	0.75	12.7	1/2
				12.7	0.5	19	0.75	12.7	1/2
		HPAS w/Micro-Form	Up	6.4	0.25	19	0.75	12.7	1/2
				12.7	0.5	19	0.75	12.7	1/2
				19.1	0.75	19	0.75	12.7, 19.1	1/2, 3/4
				25.4	1	19	0.75	12.7, 19.1, 25.4	1/2, 3/4, 1
		HPAS, equal percentage characterized cage	Down	19.1	0.75	19	0.75	19.1	3/4
				25.4	1	19	0.75	19.1	3/4
				31.8	1.25	19	0.75	25.4	1
	38.1			1.5	29	1.125	25.4	1	
	HPAS	Up	47.6	1.875	29	1.125	12.7, 19.1, 25.4	1/2, 3/4, 1	
	HPAT, HPAD	Down	47.6	1.875	29	1.125	12.7, 19.1	1/2, 3/4	
	Modified equal percentage	HPAS w/Micro-Form	Up	25.4	1	29	1.125	12.7, 19.1, 25.4	1/2, 3/4, 1
				31.8	1.25	29	1.125	12.7, 19.1, 25.4	1/2, 3/4, 1
				38.1	1.5	38	1.5	12.7, 19.1, 25.4	1/2, 3/4, 1
		HPAS, equal percentage characterized cage	Down	19.1	0.75	29	1.125	19.1	3/4
				25.4	1	29	1.125	19.1	3/4
				31.8	1.25	29	1.125	25.4	1
	38.1	1.5	38	1.5	25.4	1			
	HPAS	Up	47.6	1.875	38	1.5	12.7, 19.1, 25.4	1/2, 3/4, 1	
	HPAT, HPAD	Down	47.6	1.875	38	1.5	12.7, 19.1	1/2, 3/4	
Linear (cage style: std)	HPAS w/Micro-Flat	Down	25.4	1	29	1.125	19.1	3/4	
Linear (cage style: std)	HPAS	Up	47.6	1.875	38	1.5	12.7, 19.1, 25.4	1/2, 3/4, 1	
			HPAT, HPAD	Down	47.6	1.875	38	1.5	12.7, 19.1
Linear (cage style: Whisper III, level A1)	HPAS, HPAT, HPAD	Up	47.6	1.875	38	1.5	12.7, 19.1, 25.4 ⁽¹⁾	1/2, 3/4, 1 ⁽¹⁾	
Linear (cage style: Cavitrol III, 2-stage)	HPAT	Down	44.5	1.75	51	2	12.7, 19.1	1/2, 3/4	
Linear (cage style: Cavitrol III, 3-stage)	HPAS	Down	25.4	1	51	2	19.1	3/4	

-continued-

Table 11. Additional Angle Valve Specifications (continued)

VALVE SIZE, NPS	FLOW CHARACTERISTIC	VALVE BODY DESIGN AND PLUG STYLE	FLOW DIRECTION	PORT DIAMETER		VALVE PLUG TRAVEL		VALVE STEM DIAMETER	
				mm	Inches	mm	Inches	mm	Inches
3	Equal percentage	HPAT, HPAD	Down	47.6	1.875	29	1.125	12.7, 19.1	1/2, 3/4
	Modified equal percentage		Down	47.6	1.875	38	1.5	12.7, 19.1	1/2, 3/4
	Linear (cage style: Std)		Down	47.6	1.875	38	1.5	12.7, 19.1	1/2, 3/4
	Linear (cage style: Whisper III, level A1)		Up						
	Linear (cage style: Cavitrol III, 2-stage)	HPAT	Down	44.5	1.75	51	2	12.7, 19.1	1/2, 3/4
4	Equal percentage	HPAT, HPAD	Down	73	2.875	38	1.5	12.7, 19.1, 25.4	1/2, 3/4, 1
	Modified equal percentage		Down	73	2.875	51	2	12.7, 19.1, 25.4	1/2, 3/4, 1
	Linear (cage style: Std)		Down						
	Linear (cage style: Whisper III, level A1, B1)		Up						
	Linear (cage style: Cavitrol III, 2-stage)	HPAT	Down	64	2.5	64	2.5	12.7, 19.1, 25.4	1/2, 3/4, 1
	Linear (cage style: Cavitrol III, 3-stage)	HPAT	Down	47.6	1.875	64	2.5	12.7, 19.1, 25.4	1/2, 3/4, 1
6	Equal percentage	HPAT, HPAD	Down	92.1	3.625	38	1.5	19.1, 25.4	3/4, 1
	Modified equal percentage		Down	92.1	3.625	51	2	19.1, 25.4	3/4, 1
	Linear (cage style: Std)		Down						
	Linear (cage style: Whisper III, level A1, A3, B3, C3)		Up						
	Linear (cage style: Whisper III, level D3)	HPAT	Up	73	2.875	51	2	19.1, 25.4	3/4, 1
	Linear (cage style: Cavitrol III, 2-stage)	HPAT	Down	87.3	3.4375	76	3	19.1, 25.4	3/4, 1
	Linear (cage style: Cavitrol III, 3-stage)	HPAT	Down	73	2.875	76	3	19.1, 25.4	3/4, 1
8	Equal percentage	HPAT, HPAD	Down	136.5	5.375	64	2.5	19.1, 25.4, 31.8	3/4, 1, 1-1/4
	Modified equal percentage		Down	136.5	5.375	76	3	19.1, 25.4, 31.8	3/4, 1, 1-1/4
	Linear (cage style: Std)		Down						
	Linear (cage style: Whisper III, level A1, A3, B3, C3)		Up						
	Linear (cage style: Whisper III, level D3)	HPAT	Up	111.1	4.375	76	3	25.4, 31.8	1, 1-1/4
	Linear (cage style: Cavitrol III, 2-stage)	HPAT	Down	133.4	5.25	102	4	19.1, 25.4, 31.8	3/4, 1, 1-1/4
	Linear (cage style: Cavitrol III, 3-stage)	HPAT	Down	115.9	4.5625	102	4	19.1, 25.4, 31.8	3/4, 1, 1-1/4

1. Available only with HPAS valves.
2. Micro-Flutes (1 flute and 0.5 inch port 2 flute) may be used flow down in flashing and erosive service.

Figure 7. Fisher HPS Trim with Micro-Flute Valve Plug

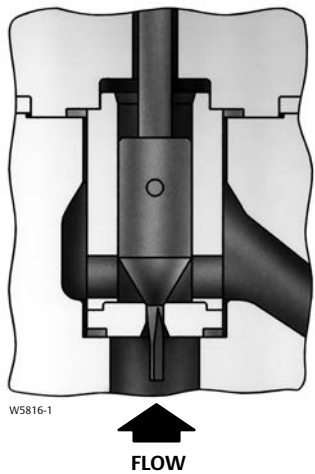
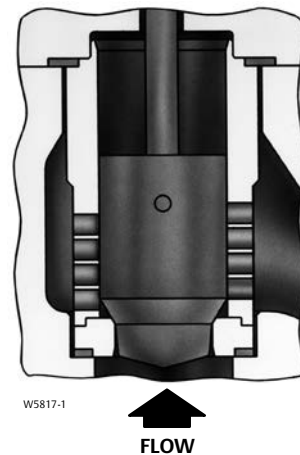


Figure 8. Fisher HPS Trim with Micro-Form Valve Plug



Trim Selection Guidelines

NPS 1 through 6 HP Globe Valve, NPS 8 Angle Body Valve

Refer to the following descriptions as a guideline for the selection of appropriate trims.

- **Trim 201A**— Trim 201A is the standard trim for carbon steel and alloy steel valve body materials. This trim is recommended for general or severe service applications up to 343°C (650°F) or 427°C (800°F) depending on valve construction. Typical applications for this trim include services in boiler feedwater, water, non-sour hydrocarbons, and steam.
- **Trims 202 and 202H**— Trims 202 and 202H are designed for use in high temperature applications up to 566°C (1050°F). Trim 202H includes special tolerances required for larger sized HPD and HPAD constructions, as indicated in table 12, at operating temperatures above 343°C (650°F).
- **Trim 203**— Trim 203 is the standard trim for stainless steel valve body materials and should only be used with stainless steel valve body materials. This trim meets the metallurgical requirements of NACE MR0175-2002 and can be used in applications up to 593°C (1100°F)
- **Trim 204**— Trim 204 is used in sour or moderately corrosive services. This trim meets the metallurgical requirements of NACE MR0175-2002 and can be used with carbon steel and alloy steel valve body materials.
- **Trim 210**— Provides a S31600 CoCr-A hardfaced valve plug, which can be easily weld repaired. The S17400 H1075 cage in this trim also allows it to be used in an HPT or HPAT construction.
- **Trim 211**— Trim 211 is the standard trim for C12A valve body materials and should only be used with C12A valve body materials. C12A should only be used when the pressure and temperature capabilities for WC9 valve body materials are not acceptable.

Figure 9. NPS 2 Fisher HPS Trim with Cavitrol III 3-Stage Cage

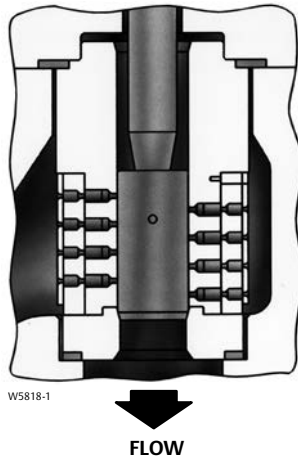


Figure 11. Fisher HPAS Trim with Micro-Flat Valve Plug

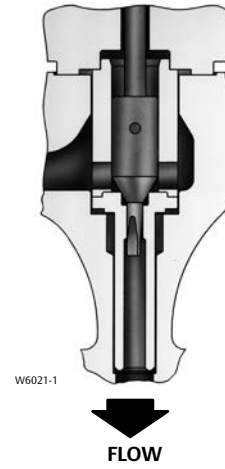


Figure 10. Fisher HPD Trim with Whisper Trim III Level D Cage (also available in HPT and HPS)

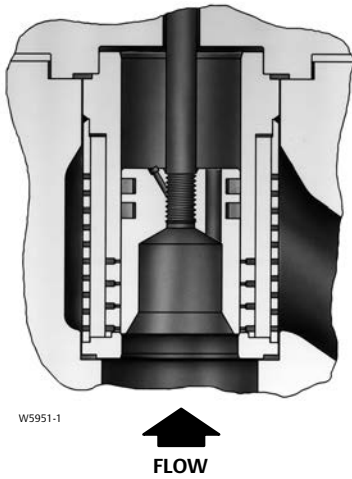
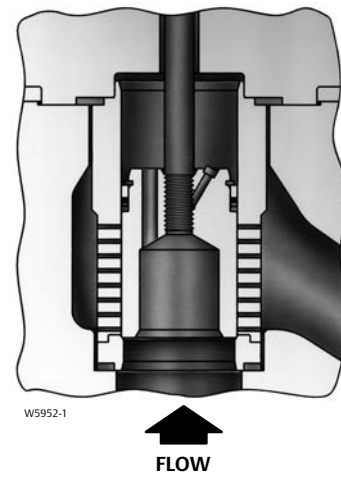


Figure 12. Fisher HPT Trim with Whisper Trim III Level A1 Cage (also available in HPD NPS 2-6 and HPS NPS 2 and 3)



C-seal Trim Description

C-seal trim is available for HPD and HPAD valves with port diameters from 2.875 inches through 5.375 inches.

With C-seal trim, a balanced valve can achieve high-temperature, Class V shutoff. Because the C-seal plug seal is formed from metal (N07718 nickel alloy) rather than an elastomer, a valve equipped with the C-seal trim can be applied in processes with a fluid temperature of up to 593°C (1100°F).

Bore-seal Trim Description

Bore-seal trim is available for HPD valves with port diameters from 5.5 inches through 8 inches.

With Bore-seal trim, a balanced valve can achieve high-temperature, Class V shutoff. Because the

Bore-seal plug seal is formed from metal (N07718 nickel alloy) rather than an elastomer, a valve equipped with the Bore-seal trim can be applied in processes with a fluid temperature of up to 593°C (1100°F).

Fisher TSO (Tight Shutoff) Trim Capabilities

TSO trim is available for HPS and HPT valves with port diameters as defined in table 5. Also see figure 4 and table 4.

TSO trim consists of a protected soft seat plus PEEK anti-extrusion rings with a spring-loaded PTFE plug seal. Used only in flow down applications, TSO trim offers unparalleled shutoff integrity, resulting in longer plug and seat life. For additional information contact your [Emerson sales office](#) or Local Business Partner.

Table 12. Trim Descriptions

TRIM DESIGNATION	VALVE	VALVE PLUG	CAGE	SEAT RING	VALVE BODY MATERIAL ⁽¹⁾	OPERATING TEMPERATURE RANGE ⁽²⁾	
						°C	°F
With Standard Cage							
201A	HP (NPS 1-6 CL900 & 1500 & NPS 1-2 CL2500) HPA (NPS 1-8 CL900 & 1500 & NPS 1-2 CL2500)	S41600 heat-treated for HP, HPA, Micro-Form (HPA), and flow down HPAS) or S44004 (440C SST) heat-treated for Micro-Flute and Micro-Flat (HPA only) valve plugs	S17400 (17-4 SST) H1075 heat-treated	S41600 heat-treated or HPA (S44004 heat-treated seat ring for Micro-Flat S44004 heat-treated seat and liner)	WCC	-29 to 343 ⁽⁸⁾	-20 to 650 ⁽⁸⁾
					LCC	-29 to 343	-20 to 650
					WC9	-29 to 343 ⁽⁸⁾	-20 to 650 ⁽⁸⁾
202	HPD & HPS only (NPS 1-6 CL900 & 1500 & NPS 1 to 2 CL2500) HPAD & HPAS only (NPS 1-8 CL900 & 1500 & NPS 1-2 CL2500)	S31600 (316 stainless steel) with CoCr-A seat and guide	F22 Cr-Mo alloy steel nitrided	S31600/CoCr-A or R30006 (Alloy 6) for Micro-Flat valve plugs R30006 seat, liner ⁽³⁾	WCC	-29 to 427	-20 to 800
				LCC	-46 to 343	-50 to 650	
				WC9	-29 to 566	-20 to 1050	
202H ⁽⁴⁾	HPD NPS 6 CL900 & 1500, HPAD NPS 8 CL900 & 1500 only	S31600 (316 stainless steel) with CoCr-A seat and guide	F22 Cr-Mo alloy steel nitrided	S31600/CoCr-A	WCC	260 to 427	500 to 800
				LCC	260 to 343	500 to 650	
				WC9	260 to 566	500 to 1050	
203 (NACE) ⁽⁵⁾	HP (NPS 1-6 CL900 & 1500 & NPS 1-2 CL2500)	S31600 with CoCr-A seat and guide	S31600/hard Cr coat	S31600/CoCr-A or R30006 (Alloy 6) for Micro-Flat valve plugs R30006 seat, liner ⁽³⁾	CF8M	-198 to 593 ⁽²⁾	-325 to 1100 ⁽²⁾
204 (NACE) ⁽⁵⁾	HPA (NPS 1-8 CL900 & 1500 & NPS 1-2 CL2500)	S31600 with CoCr-A seat and guide	S17400 Double H1150 heat-treated	S31600/CoCr-A or R30006 (Alloy 6) for Micro-Flat valve plugs R30006 seat, liner ⁽³⁾	WCC	-29 to 427	-20 to 800
				LCC	-46 to 343	-50 to 650	
				WC9	-29 to 427	-20 to 800	

-continued-

Table 12. Trim Descriptions (continued)

TRIM DESIGNATION	VALVE	VALVE PLUG	CAGE	SEAT RING	VALVE BODY MATERIAL ⁽¹⁾	OPERATING TEMPERATURE RANGE ⁽²⁾	
						°C	°F
With Standard Cage							
210	HP (NPS 1-6 CL900 & 1500 & NPS 1-2 CL2500) HPA (NPS 1-8 CL900 & 1500 & NPS 1-2 CL2500)	S31600 with CoCr-A seat and guide	S17400 H1075	S31600/CoCr-A	WCC	-29 to 427	-20 to 800
					LCC	-46 to 343	-50 to 650
					WC9	-29 to 427	-20 to 800
211 ⁽⁹⁾	HPD & HPS only (NPS 1-6 CL900 & 1500 & NPS 1 to 2 CL2500) HPAD & HPAS only (NPS 1-8 CL900 & 1500 & NPS 1-2 CL2500)	F91 with CoCr-A seat and guide	F91 ion nitrided	F91 with CoCr-A	C12A	-29 to 593	-20 to 1100
260	HP (NPS 8-12 CL900, 1500, 2500, & 3200)	410/416 SST heat treated	17-4 H1075 heat treated	17-4 H1075 heat treated	WCC, WC9	-29 to 427	-20 to 800
					LCC	-46 to 343	-50 to 650
262	HP (NPS 8-12 CL900, 1500, 2500, & 3200)	2.25 Cr - 1 Mo with CoCr-A	2.25 Cr - 1 Mo Nitrided	2.25 Cr - 1 Mo with CoCr-A	WC9, C12A	-29 to 566	-20 to 1050
263 (NACE) ⁽⁵⁾	HP (NPS 8-12 CL900, 1500, 2500, & 3200)	316 SST with CoCr-A	316 SST with Cr plating	316 SST with CoCr-A	CF8M	-198 to 316	-325 to 600
					WCC, WC9	-29 to 316	-20 to 600
					LCC	-46 to 316	-50 to 600
264 (NACE) ⁽⁵⁾	HP (NPS 8-12 CL900, 1500, 2500, & 3200)	316 SST with CoCr-A	316 SST with Cr coating	316 SST with CoCr-A	CF8M	-198 to 593	-325 to 1100
					WCC	-29 to 371	-20 to 700
					LCC	-46 to 343	-50 to 650
					WC9	-29 to 427	-20 to 800
TC1	HP (NPS 1-6 CL900, 1500 & NPS 1-2 CL2500) HPA (NPS 1-8 CL900, 1500 & NPS 1-2 CL2500)	17-4/tungsten carbide insert for seat & contour ⁽¹⁰⁾	Alloy 6	17-4 SST/Tungsten carbide insert for seat & bore	WCC, WC9	-29 to 232	-20 to 450
TC2	HP (NPS 1-6 CL900, 1500 & NPS 1-2 CL2500) HPA (NPS 1-8 CL900, 1500 & NPS 1-2 CL2500)	S32550/tungsten carbide insert for seat & contour ⁽¹⁰⁾	Alloy 6	S32550/tungsten carbide insert for seat & bore	CF8M, CD3MN, CD3MWCuN	-29 to 93	-20 to 200
TC3	HP (NPS 1-6 CL900, 1500 & NPS 1-2 CL2500) HPA (NPS 1-8 CL900, 1500 & NPS 1-2 CL2500)	N07718/tungsten carbide insert for seat & contour ⁽¹⁰⁾	Alloy 6	N07718/tungsten carbide insert for seat & bore	CW6MC	-29 to 232	-20 to 450
751	HP (NPS 1-6 CL900 & 1500)	≤ 1/4 inch Port: R30006 or R30016 > 1/4 inch, < 3 inch Port: S31803 with CoCr-A seat and guide ≥ 3 inch Port: S31803/Ultimet	S31803/Cr Pl	S31803/CoCr A	CD3MN	-51 to 316	-60 to 600
752	HP (NPS 1-6 CL900 & 1500)	≤ 1/4 inch Port: R30006 or R30016 > 1/4 inch, < 3 inch Port: S32760 with CoCr-A seat and guide ≥ 3 inch Port: S32760/Ultimet	S32760/Cr Pl	S32760/CoCr A	CD3MWCuN	-51 to 316	-60 to 600
With Cavitrol III Cage							
215A	HP (NPS 1-6 CL900 & 1500 & NPS 1-2 CL2500) HPA (NPS 1-8 CL900 & 1500 & NPS 1-2 CL2500)	S44004 heat-treated	S17400 H1075 heat-treated	S42000 or S44004 heat-treated for CAV III Micro-Flat only	WCC	-29 to 343 ⁽⁸⁾	-20 to 650 ⁽⁸⁾
					LCC		
					WC9		

-continued-

Table 12. Trim Descriptions (continued)

TRIM DESIGNATION	VALVE	VALVE PLUG	CAGE	SEAT RING	VALVE BODY MATERIAL ⁽¹⁾	OPERATING TEMPERATURE RANGE ⁽²⁾	
						°C	°F
With Cavitrol III Cage							
215B ⁽⁶⁾	HP (NPS 1-6 CL900 & 1500 & NPS 1-2 CL2500) HPA (NPS 1-8 CL900 & 1500 & NPS 1-2 CL2500)	S44004 heat-treated	S17400 H1075 heat-treated	S42000 or S44004 heat-treated for CAV III Micro-Flat only	WCC	-29 to 343 ⁽⁸⁾	-20 to 650 ⁽⁸⁾
					LCC		
					WC9		
206 (NACE) ⁽⁵⁾	HP (NPS 1-6 CL900 & 1500 & NPS 1-2 CL2500) HPA (NPS 1-8 CL900 & 1500 & NPS 1-2 CL2500)	S31600 with CoCr-A seat and guide	S17400 Double H1150 heat-treated	S31600/CoCr-A	WCC	-29 to 343	-20 to 650
					LCC	-46 to 343	-50 to 650
					WC9	-29 to 343	-20 to 650
275	HP (NPS 8-12 CL900, 1500, 2500, & 3200)	420 SST heat treated	17-4 H1075 heat treated	17-4 H1075 heat treated	WCC, WC9	-29 to 427	-20 to 800
					LCC	-46 to 343	-50 to 650
					CF8M	-29 to 232	-20 to 450
276	HP (NPS 8-12 CL900, 1500, 2500, & 3200)	440C SST heat treated	17-4 H1075 heat treated	17-4 H1075 heat treated	WCC, WC9	-29 to 427	-20 to 800
					LCC	-46 to 343	-50 to 650
					CF8M	-29 to 232	-20 to 450
753	HP (NPS 1-6 CL900 & 1500)	≤ 1/4 inch Port: R30006 or R30016 > 1/4 inch, < 3 inch Port: S31803 with CoCr-A seat and guide ≥ 3 inch Port: S31803/Ultimet	S32760	S31803/CoCr A	CD3MN	-51 to 316 ⁽⁷⁾	-60 to 600 ⁽⁷⁾
754	HP (NPS 1-6 CL900 & 1500)	≤ 1/4 inch Port: R30006 or R30016 > 1/4 inch, < 3 inch Port: S32760 with CoCr-A seat and guide ≥ 3 inch Port: S32760/Ultimet	S32760	S32760/CoCr A	CD3MWCuN	-51 to 316 ⁽⁷⁾	-60 to 600 ⁽⁷⁾
With Whisper Trim III Cage							
207A	HP (NPS 1-6 CL900 & 1500 & NPS 1-2 CL2500) HPA (NPS 1-8 CL900 & 1500 & NPS 1-2 CL2500)	S41600 heat-treated	S17400 H1075 heat-treated	S41600 heat-treated	WCC	-29 to 343 ⁽⁸⁾	-20 to 650 ⁽⁸⁾
					LCC		
					WC9		
207B	HP (NPS 1-6 CL900 & 1500 & NPS 1-2 CL2500)	S41600 heat-treated	S17400 H1075 heat-treated	S31600/CoCr-A	WCC	-29 to 427	-20 to 800
					LCC	-29 to 343	-20 to 650
					WC9	-29 to 427	-20 to 800
208	HPD & HPS only (NPS 1-6 CL900 & 1500 & NPS 1 to 2 CL2500) HPAD & HPAS (NPS 1-8 CL900 & 1500 & NPS 1-2 CL2500)	S31600 with CoCr-A seat and guide	F22 steel nitrided	S31600/CoCr-A	WCC	-29 to 427	-20 to 800
					LCC	-46 to 343	-50 to 650
					WC9	-29 to 566	-20 to 1050
208H ⁽⁴⁾	HPD (NPS 6 CL900 & 1500) HPAD (NPS 8 CL900 & 1500 only)	S31600 with CoCr-A seat and guide	F22 steel nitrided	S31600/CoCr-A	WCC	-29 to 427	-20 to 800
					LCC	-46 to 343	-50 to 650
					WC9	-29 to 566	-20 to 1050
209 (NACE) ⁽⁵⁾	HP (NPS 1-6 CL900 & 1500 & NPS 1-2 CL2500) HPA (NPS 1-8 CL900 & 1500 & NPS 1-2 CL2500)	S31600 with CoCr-A seat and guide	S17400 Double H1150 heat-treated	S31600/CoCr-A	WCC	-29 to 343	-20 to 650
					LCC	-46 to 343	-50 to 650
					WC9	-29 to 343	-20 to 650

-continued-

Table 12. Trim Descriptions (continued)

TRIM DESIGNATION	VALVE	VALVE PLUG	CAGE	SEAT RING	VALVE BODY MATERIAL ⁽¹⁾	OPERATING TEMPERATURE RANGE ⁽²⁾	
						°C	°F
With Whisper Trim III Cage							
212 ⁽⁹⁾	HPD & HPS only (NPS 1-6 CL900 & 1500 & NPS 1 to 2 CL2500) HPAD & HPAS only (NPS 1-8 CL900 & 1500 & NPS 1-2 CL2500)	F91 with CoCr-A seat and guide	F91 ion nitrided	F91 with CoCr-A	C12A	-29 to 593	-20 to 1100
286A	HP (NPS 8-12 CL900, 1500, 2500, & 3200)	410/416 SST heat treated	17-4 H1075 heat treated	17-4 H1075 heat treated	WCC, WC9	-29 to 427	-20 to 800
					LCC	-46 to 343	-50 to 650
287	HP (NPS 8-12 CL900, 1500, 2500, & 3200)	2.25 Cr - 1 Mo with CoCr-A	2.25 Cr - 1 Mo Nitrided	2.25 Cr - 1 Mo with CoCr-A	WC9	-29 to 566	-20 to 1050
288	HP (NPS 8-12 CL900, 1500, 2500, & 3200)	9 Cr - 1 Mo - V with CoCr-A	9 Cr - 1 Mo - V Nitrided	9 Cr - 1 Mo - V with CoCr-A	C12A	-29 to 593	-20 to 1100
289 (NACE) ⁽⁵⁾	HP (NPS 8-12 CL900, 1500, 2500, & 3200)	316 SST with CoCr-A	17-4 Double H1150 heat treated	17-4 Double H1150 heat treated with CoCr-A	WCC, WC9, CF8M	-29 to 260	-20 to 500
					LCC	-46 to 260	-50 to 500
751	HP (NPS 1-6 CL900 & 1500)	≤ 1/4 inch Port: R30006 or R30016 > 1/4 inch, < 3 inch Port: S31803 with CoCr-A seat and guide ≥ 3 inch Port: S31803/Ultimet	S31803/Cr PI	S31803/CoCr A	CD3MN	-51 to 316	-60 to 600
752	HP (NPS 1-6 CL900 & 1500)	≤ 1/4 inch Port: R30006 or R30016 > 1/4 inch, < 3 inch Port: S32760 with CoCr-A seat and guide ≥ 3 inch Port: S32760/Ultimet	S32760/Cr PI	S32760/CoCr A	CD3MWCuN	-51 to 316	-60 to 600

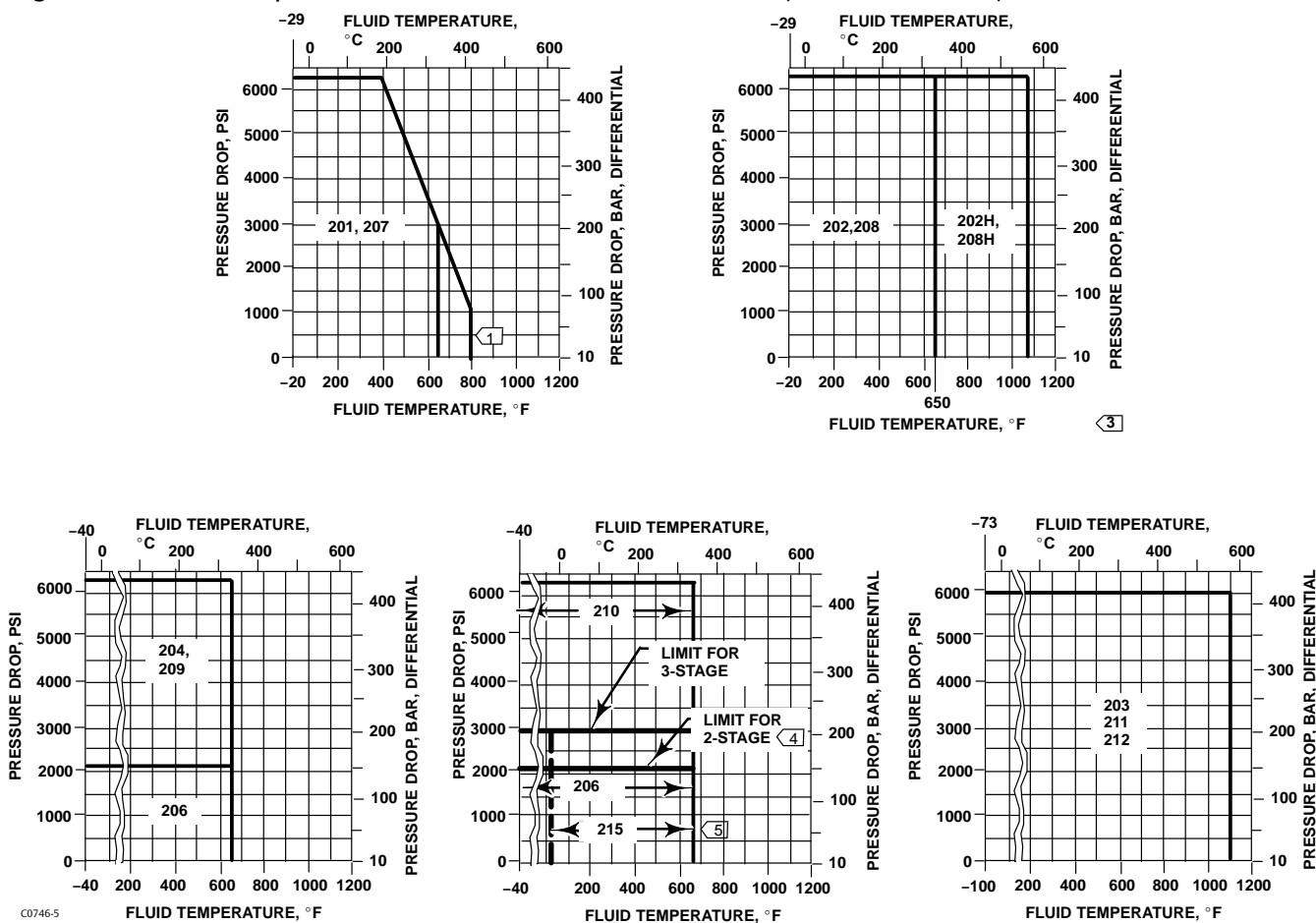
1. If using valve body/trim combinations other than those listed, consult your [Emerson sales office](#).
2. Temperatures above 538°C (1000°F) require a non-standard CF8M body material (CF8M to FMS 20B16).
3. For HPA valves.
4. Trims 202H and 208H have valve plug tolerances for high temperature service and are used in place of trims 202 and 208 for the constructions listed when operating temperatures exceed 343°C (650°F).
5. NACE MR0175-2002.
6. Trim 215B has a S31600 valve stem instead of the standard S20910 material.
7. NPS 1 2 stage and NPS 2 3 stage HPS can be used at temperatures up to 343°C (650°F).
8. NPS 1 and 2 can be used at temperatures up to 427°C (800°F).
9. Trims 211 and 212 use S41000 stem instead of the standard S20910 material. S41000 is limited to 538°C (1000°F). For temperatures greater than 538°C (1000°F), S42200 stem is used.
10. Use with Micro-Form trim in HPS, Micro-Form and Micro-Flat in HPAS valves.

Table 13. Flowing Pressure Drop Limits for NPS 6 HPD and HPT Valves (Without Cavitrol III or Whisper Trim III Cage)

FLOW MEDIA	STEM DIAMETER, mm (INCHES)	MAXIMUM FLOWING PRESSURE DROP			
		Bar		PSI	
		Flow Down	Flow Up	Flow Down	Flow Up
All except boiler feedwater	19 (3/4)	103	---	1500	---
	25.4 (1)	172	---	2500	---
	31.8 (1-1/4)	259	---	3750	---
	51.8 x 31.8 ⁽¹⁾ (2 x 1-1/4)	259	259	3750	3750
Boiler feedwater	31.8 (1-1/4)	69	---	1000	---
	51.8 x 31.8 ⁽¹⁾ (2 x 1-1/4)	138	259	2000	3750

1. Requires 31.8 mm (1-1/4 inch) S20910 stem with 52.8 mm (2-inch) plug-to-stem connection.

Figure 13. Pressure-Temperature Limits for Trim Material Combinations (also refer to table 7)



SOUR SERVICE APPLICATIONS (NACE) 2

Notes:

- 1 Use trim 207B in NPS 3, 4, 6 HP and NPS 4, 6, 8 HPA above 343°C (650°F).
- 2 NACE MR0175-2002.
- 3 Be especially careful to specify service temperature if trim 202 or 208 is selected, as different thermal expansion rates require special plug clearances.
- 4 The limit for 2-stage NPS 1 and 2 valves is 2160 psig. For NPS 3 to 6 valves the limit is 1800 psig.
- 5 Use trim 215 up to 427°C (800°F) for NPS 1 and 2.

Table 14. Globe Valve Dimensions with Standard/Style 1 Extension Bonnet

VALVE SIZE, NPS	A ⁽¹⁾								
	ASME						EN		
	CL900		CL1500				PN160	PN250	
	RF	RTJ	BWE	SWE	RF	RTJ			
mm									
1	292	292	292	292	292	292	269	277	
2	375	378	375	375	375	378	344	360	
3	442	445	460	---	460	464	442	460	
4x3	460	463	460	---	479	482	---	---	
4	511	514	530	---	530	533	511	530	
6x4	544	547	530	---	598	604	---	---	
6	714	718	768	---	768	775	714	768	
8x6	730	733	768	---	787	797	---	---	
CL2500									
1	---	---	318	318	318	318	---	---	
2	---	---	400	400	413	416	---	---	
CL900		CL1500				PN160	PN250		
Inches									
1	11.50	11.50	11.50	11.50	11.50	11.50	10.58	10.90	
2	14.75	14.88	14.75	14.75	14.75	14.88	13.56	14.18	
3	17.38	17.50	18.12	---	18.12	18.25	17.38	18.12	
4x3	18.12	18.25	18.12	---	18.88	19.00	---	---	
4	20.12	20.25	20.88	---	20.88	21.00	20.12	20.88	
6x4	21.44	21.56	20.88	---	23.56	23.81	---	---	
6	28.12	28.25	30.25	---	30.25	30.50	28.12	30.25	
8x6	28.75	28.88	30.25	---	31.00	31.38	---	---	
CL2500									
1	---	---	12.50	12.50	12.50	12.50	---	---	
2	---	---	15.75	15.75	16.25	16.38	---	---	

1. RF-raised-face flanges; RTJ-ring-type joint flanges; BWE-buttweld ends; SWE-socketweld ends.

Table 15. Globe Valve Dimensions with Standard/Style 1 Extension Bonnet

VALVE SIZE, NPS	B ⁽¹⁾								
	ASME						EN		
	CL900		CL1500				PN160	PN250	
	RF	RTJ	BWE	SWE	RF	RTJ			
mm									
1	146	146	146	146	146	146	134	138	
2	187	189	187	187	187	189	172	180	
3	221	222	230	---	230	232	192	202	
4x3	212	214	209	---	222	223	---	---	
4	229	230	238	---	238	240	218	232	
6x4	249	250	238	---	276	279	---	---	
6	310	311	337	---	337	340	298	316	
8x6	317	319	336	---	345	350	---	---	
CL2500									
1	---	---	159	159	159	159	---	---	
2	---	---	200	200	206	208	---	---	
CL900		CL1500				PN160	PN250		
Inches									
1	5.75	5.75	5.75	5.75	5.75	5.75	5.29	5.45	
2	7.38	7.44	7.38	7.38	7.38	7.44	6.78	7.09	
3	8.69	8.75	9.06	---	9.06	9.12	7.54	7.94	
4x3	8.38	8.44	8.25	---	8.75	8.81	---	---	
4	9.00	9.06	9.38	---	9.38	9.44	10.75	9.13	
6x4	9.81	9.88	9.38	---	10.88	11.00	---	---	
6	12.19	12.25	13.25	---	13.25	13.38	11.72	12.43	
8x6	12.5	12.56	13.25	---	13.62	13.81	---	---	
CL2500									
1	---	---	6.25	6.25	6.25	6.25	---	---	
2	---	---	7.88	7.88	8.12	8.19	---	---	

1. RF-raised-face flanges; RTJ-ring-type joint flanges; BWE-buttweld ends; SWE-socketweld ends.

Table 16. Globe Valve Dimensions with Standard Bonnet

STANDARD BONNETS				
VALVE SIZE, NPS	G	D		
		Yoke Boss Diameters, mm (Inches)		
		71 (2-13/16)	90 (3-9/16)	127 (5)
mm				
CL900 and 1500				
1	52	260	267	---
2 Std, Whisper III, Cavitrol III 3-Stage	77	261	267	331
2, Cavitrol III 2-Stage	77	279	286	344
4x3, 3	121	322	311	370
6x4, 4	175	---	300	368
8x6, 6	248	---	365	402
CL2500				
1	63	35	35	---
2 Std, Whisper III, Cavitrol III 3-Stage	84	303	303	352
2, Cavitrol III 2-Stage	84	320	320	40
Inches				
CL900 and 1500				
1	2.06	10.25	10.50	---
2 Std, Whisper III, Cavitrol III 3-Stage	3.06	10.31	10.56	13.06
2, Cavitrol III 2-Stage	3.06	11.00	11.25	13.56
4x3, 3	4.75	12.69	12.25	14.56
6x4, 4	6.88	---	11.81	14.50
8x6, 6	9.75	---	14.38	15.81
CL2500				
1	2.47	10.07	10.07	---
2 Std, Whisper III, Cavitrol III 3-Stage	3.31	11.91	11.91	13.85
2, Cavitrol III 2-Stage	3.31	12.59	12.59	14.53

Table 17. Globe Valve Dimensions with Extension Bonnet

EXTENSION BONNETS (CL900 AND 1500)				
VALVE SIZE, NPS	G	D		
		Yoke Boss Diameters, mm (Inches)		
		71 (2-13/16)	90 (3-9/16)	127 (5)
mm				
1	52	384	400	---
2 Std, Whisper III, Cavitrol III 3-Stage	77	430	446	505
2, Cavitrol III 2-Stage	77	448	464	518
Inches				
1	2.06	15.12	15.75	---
2 Std, Whisper III, Cavitrol III 3-Stage	3.06	16.94	17.56	19.88
2, Cavitrol III 2-Stage	3.06	17.62	18.25	20.38

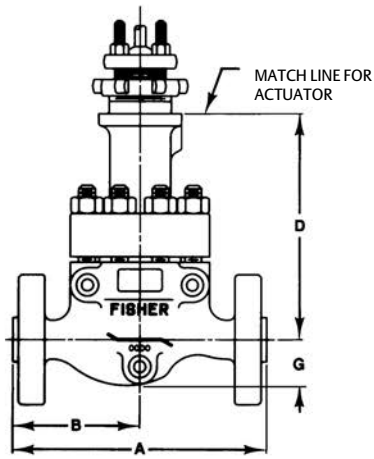
Table 18. Globe Valve Dimensions with Standard Bonnet

VALVE SIZE, NPS	A					
	CL900			CL1500		
	RF	RTJ	BWE	RF	RTJ	BWE
mm						
8	781	784	653	838	848	685
10	864	867	762	991	1001	822
12	1016	1019	914	1130	1146	989
Inches						
8	30.75	30.87	25.71	32.99	33.39	26.97
10	34.02	34.13	30.00	39.02	39.41	32.36
12	40.00	40.12	35.98	44.49	45.12	38.94
VALVE SIZE, NPS	B					
	CL900			CL1500		
	RF	RTJ	BWE	RF	RTJ	BWE
mm						
8	402.0	403.5	349.0	431.0	436.0	370.0
10	457.5	459.0	406.5	521.0	526.0	436.5
12	559.0	560.5	503.0	616.0	624.0	536.0
Inches						
8	15.83	15.89	13.74	16.97	17.17	14.57
10	18.01	18.07	16.00	20.51	20.71	17.19
12	22.01	22.07	19.80	24.25	24.57	21.10

VALVE SIZE, NPS	A					
	CL2500			CL3200		
	RF	RTJ	BWE	RF	RTJ	BWE
mm						
8	1022	1038	762	---	---	840
10	1270	1292	1016	---	---	1016
12	1321	1343	1118	---	---	1118
Inches						
8	40.24	40.87	30.00	---	---	33.07
10	50.00	50.87	40.00	---	---	40.00
12	52.01	52.87	44.02	---	---	44.02
VALVE SIZE, NPS	B					
	CL2500			CL3200		
	RF	RTJ	BWE	RF	RTJ	BWE
mm						
8	530.0	538.0	393.0	---	---	435.0
10	685.8	696.8	559.0	---	---	526.0
12	694.8	705.8	575.0	---	---	575.0
Inches						
8	20.87	21.18	15.47	---	---	17.13
10	27.00	27.43	22.01	---	---	20.71
12	27.35	27.79	22.64	---	---	22.64

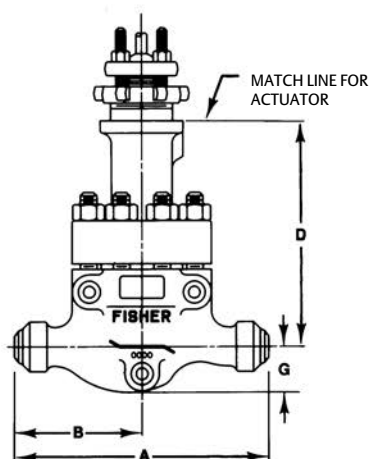
VALVE SIZE, NPS	G				D			
	CL900	CL1500	CL2500	CL3200	CL900	CL1500	CL2500	CL3200
mm								
8	259.6	281.0	314.2	311.2	547.1	547.1	620.0	647.3
10	312.5	332.0	370	390	556.3	564.9	647.4	734.3
12	355	377.1	418.0	408	621.3	653.1	662.7	745.8
Inches								
8	10.22	11.06	12.37	12.25	21.54	21.54	24.41	25.48
10	12.30	13.07	14.57	15.35	21.90	22.24	25.49	28.91
12	13.98	14.85	16.46	16.06	24.46	25.71	26.09	29.36

Figure 14. Globe Valve Dimensions with Standard Bonnet (also see tables 14, 15, 16, and 18)

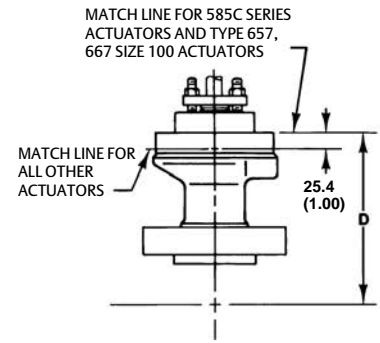


**FLANGED VALVE WITH 71 OR 90 mm
(2-13/16 OR 3-9/16 INCH)
DIAMETER YOKE BOSS**

A5700A-3



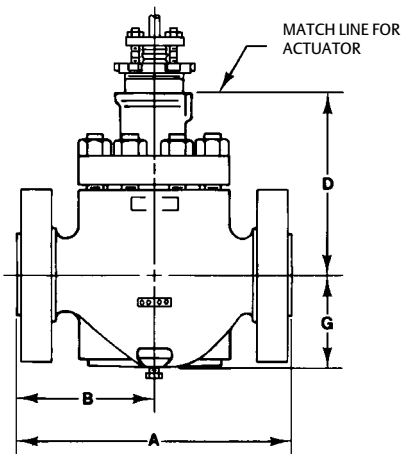
**BUTTWELD END VALVE WITH 71 OR 90 mm
(2-13/16 OR 3-9/16 INCH)
DIAMETER YOKE BOSS**



**127mm (5-INCH) DIAMETER YOKE BOSS
FOR USE WITH ALL
VALVES**

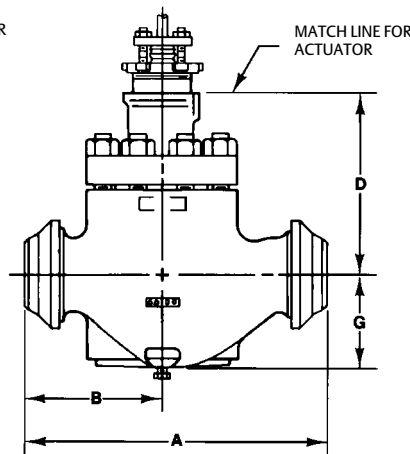
mm
(INCHES)

TYPICAL NPS 1, 2, AND 3

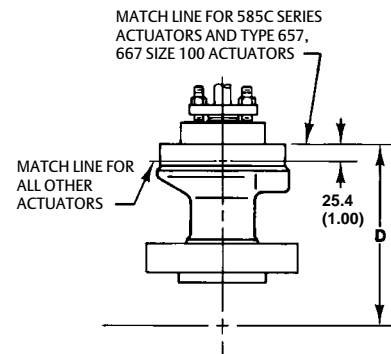


**FLANGED VALVE WITH 71 OR 90 mm
(2-13/16 OR 3-9/16 INCH)
DIAMETER YOKE BOSS**

A2719A-4



**BUTTWELD END VALVE WITH 71 OR 90 mm
(2-13/16 OR 3-9/16 INCH)
DIAMETER YOKE BOSS**



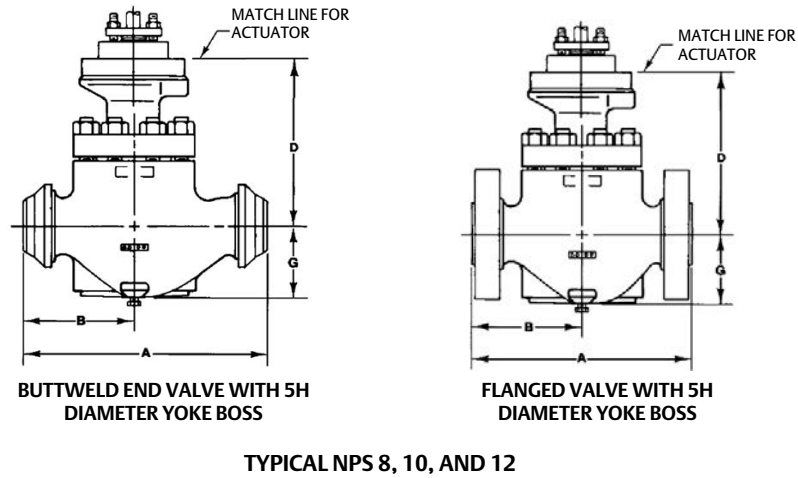
**127mm (5-INCH) DIAMETER YOKE BOSS
FOR USE WITH FLANGED OR
BUTTWELD VALVE**

mm
(INCHES)

TYPICAL NPS 4, AND 6

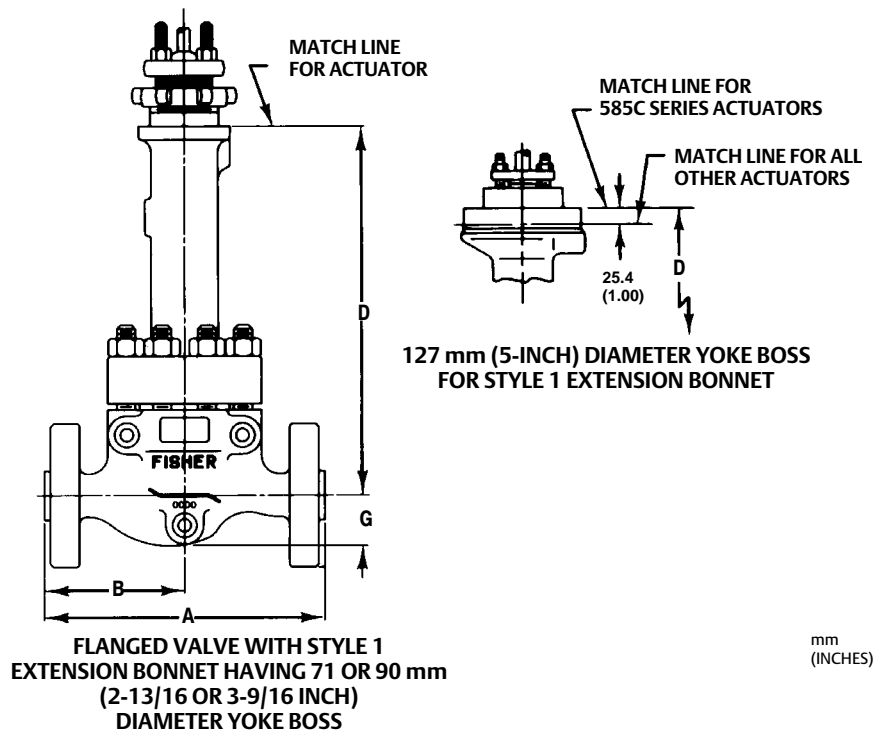
NOTE:
For dimensions of valves with other end connections, consult your [Emerson sales office](#).

Figure 14. Globe Valve Dimensions with Standard Bonnet (also see tables 14, 15, 16, and 18) (continued)



NOTE:
For dimensions of valves with other end connections, consult your [Emerson sales office](#).

Figure 15. Dimensions D for Style 1 Extension Bonnet (A, B, and G Dimensions Listed in Figure 14 Do Not Change When Extension Bonnet is Used) (also see table 18)



A5701A-2

Table 19. Angle Valve Dimensions with Standard/Style 1 Extension Bonnet

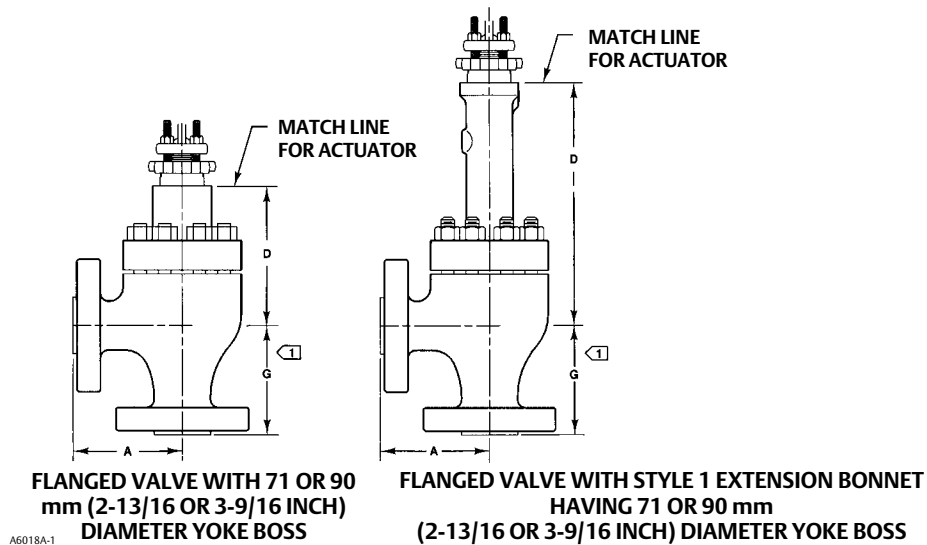
STANDARD BONNETS						
VALVE SIZE, NPS	D					
	Yoke Boss Diameters, mm (Inches)					
	71 (2-13/16)		90 (3-9/16)		127 (5)	
	CL900 and 1500	CL2500	CL900 and 1500	CL2500	CL900 and 1500	CL2500
mm						
1	230	204	238	210	---	---
2 Std, Whisper III, Cavitrol III 3-Stage	227	240	233	229	297	288
2 Cavitrol III 2-Stage	244	257	251	246	314	305
3	259	---	265	---	329	---
4	289	---	278	---	337	---
6	---	---	300	---	368	---
8	---	---	364	---	401	---
Inches						
1	9.06	8.04	9.38	8.28	---	---
2 Std, Whisper III, Cavitrol III 3-Stage	8.94	9.45	9.19	9.00	11.69	11.32
2 Cavitrol III 2-Stage	9.62	10.13	9.88	9.69	12.38	12.01
3	10.19	---	10.44	---	12.94	---
4	11.38	---	10.94	---	13.25	---
6	---	---	11.81	---	14.50	---
8	---	---	14.34	---	15.77	---
EXTENSION BONNETS						
VALVE SIZE, NPS	D					
	Yoke Boss Diameters, mm (Inches)					
	71 (2-13/16)		90 (3-9/16)		127 (5)	
	CL900 and 1500	CL2500	CL900 and 1500	CL2500	CL900 and 1500	CL2500
mm						
1	354	373	371	388	---	---
2 Std, Whisper III, Cavitrol III 3-Stage	395	---	411	---	470	---
2 Cavitrol III 2-Stage	413	---	429	---	487	---
Inches						
1	13.94	14.67	14.62	15.28	---	---
2 Std, Whisper III, Cavitrol III 3-Stage	15.56	---	16.19	---	18.50	---
2 Cavitrol III 2-Stage	16.25	---	16.88	---	19.19	---

Table 20. Angle Valve Dimensions with Standard/Style 1 Extension Bonnet

VALVE SIZE, NPS	G		A & G ⁽¹⁾							
	ASME								EN	
	CL2500		CL900		CL1500				PN160	PN250
	SWE	SWE	RF	RTJ	BWE	SWE	RF	RTJ		
mm										
1	141	102	141	141	141	141	141	141	130	134
2	184	124	178	179	178	178	178	179	163	170
3	---	---	226	227	235	---	235	237	---	---
4	---	---	273	275	273	---	273	275	---	---
6	---	---	325	327	353	---	353	356	---	---
8	---	---	387	389	416	---	416	421	---	---
Inches										
1	5.56	4.00	5.56	5.56	5.56	5.56	5.56	5.56	5.10	5.26
2	7.25	4.88	7.00	7.06	7.00	7.00	7.00	7.06	6.40	6.71
3	---	---	8.88	8.94	9.25	---	9.25	9.31	---	---
4	---	---	10.75	10.81	10.75	---	10.75	10.81	---	---
6	---	---	12.81	12.88	13.88	---	13.88	14.00	---	---
8	---	---	15.25	15.31	16.38	---	16.38	16.56	---	---

1. RF—raised-face flanges; RTJ—ring-type-joint flanges; BWE—butt-weld ends; SWE—socket-weld ends.

Figure 16. Angle Valve Dimensions with Standard/Style 1 Extension Bonnet (also see tables 19 and 20)



① For CL900 and 1500 valves, G = A. For CL2500 valves, see table 20 for the G dimension.
Note: For dimensions of valves with other end connections, consult your [Emerson sales office](#).

Product Bulletin

51.2:HP
February 2018

HP Valve
D101635X012

Neither Emerson, Emerson Automation Solutions, nor any of their affiliated entities assumes responsibility for the selection, use or maintenance of any product. Responsibility for proper selection, use, and maintenance of any product remains solely with the purchaser and end user.

Fisher, FIELDVUE, WhisperFlo, Cavitrol, Whisper Trim, and ENVIRO-SEAL are marks owned by one of the companies in the Emerson Automation Solutions business unit of Emerson Electric Co. Emerson Automation Solutions, Emerson, and the Emerson logo are trademarks and service marks of Emerson Electric Co. All other marks are the property of their respective owners.

The contents of this publication are presented for informational purposes only, and while every effort has been made to ensure their accuracy, they are not to be construed as warranties or guarantees, express or implied, regarding the products or services described herein or their use or applicability. All sales are governed by our terms and conditions, which are available upon request. We reserve the right to modify or improve the designs or specifications of such products at any time without notice.

Emerson Automation Solutions
Marshalltown, Iowa 50158 USA
Sorocaba, 18087 Brazil
Cernay, 68700 France
Dubai, United Arab Emirates
Singapore 128461 Singapore

www.Fisher.com

