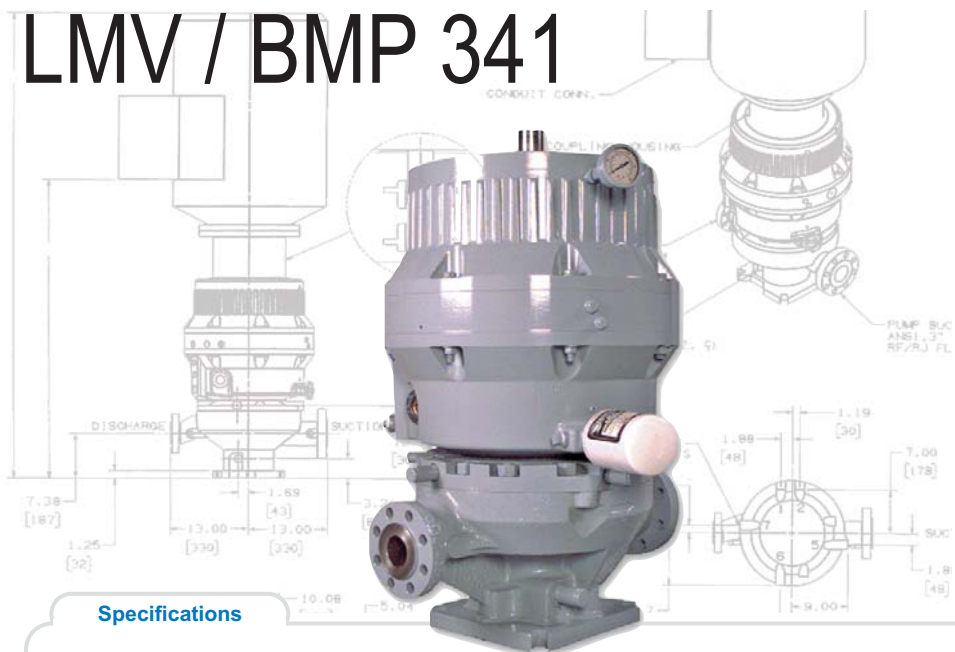


Centrifugal ISO 13709, API 610, 10th Edition, OH6 pump



LMV / BMP 341



The **LMV/BMP-341** is a gear-driven centrifugal pump.

- Flows to 400 gpm (91 m³/hr)
- Heads to 6,300 ft (1,921 m)

This pump is used in the HPI, CPI, Gas and Specialty Processing industries.

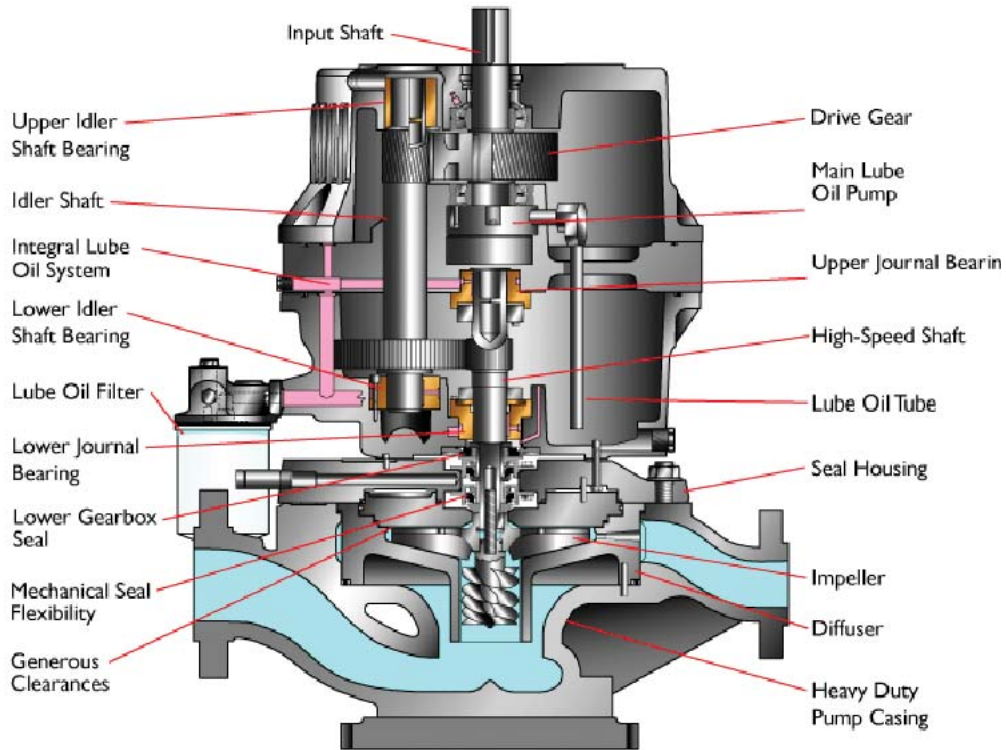
APPLICATIONS

- Alkylation
- Isomerization
- Hydro Cracking
- Hydrogen
- Sulfur Plants
- Amine / CO₂

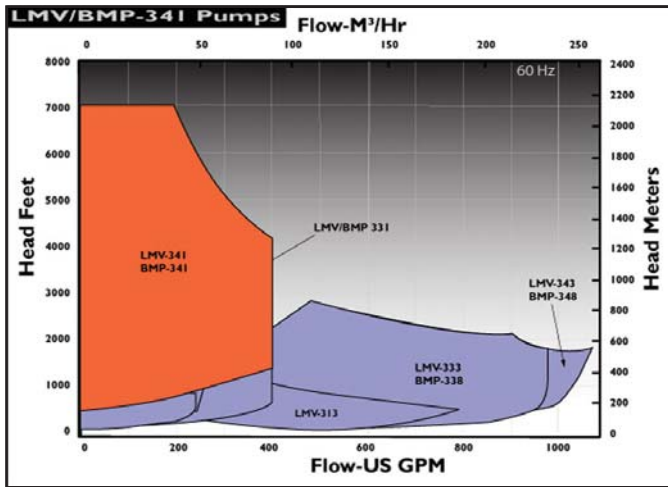
Specifications

Heads To	500 to 6,300ft	160 to 1,921m
Flows To	0 to 400gpm	0 to 91m ³ /hr
Max Power	400	315
Temp Range	-200 to 650°F	-130 to 340°C
Number of Stages	1.0	
Max Case Working Pressure	2,160 psi	151.9 kg/cm ²
Max Suction Pressure	1,000 psig	(70.3 kg/cm ²)
Differential Head	6,300 ft	1,921 m
HP Dependent on Diff. Head	400 hp	300 kW
Standard Delivery	8 Weeks	
Speed Range	10,000 to 24,000rpm - 60Hz	
Materials of Construction	Consult Factory	
Bearing Materials Available	Input Shaft - Spherical Roller, Idler and High-Speed Shaft - Journal	
Hydrotest Pressure	3,350 psig	235.5 kg/cm ² g
Max Viscosity	750 cp	
Industry Standard	API-610	
Solids Range	0.015" (0.381mm),	400 microns
Mounting Configurations	LMV is Vertical / BMP is Horizontal	
Number of Available Hydraulics	3.0	
Seal Configurations Available	Single, Tandem, Double	
Available Inducer	Yes	
Available Flanges	600# ANSI RF & RTJ (900# RF and RTJ Optional)	
Pump Case Corrosion Allowance	0.125 in	(3.18 mm)
Suction and Discharge Size	3 in X 2 in	
API Plans for Sundyne Pumps	11, 12, 13, 21, 23, 31, 32, 41, 52, 53, 54, 61, 62, J	

- Hydrotreater
- Fuel
- Gasification
- Brine Injection
- Condensate Extraction
- Boiler Feed Booster
- Brine Disposal
- Flammable Liquids
- Boiler Feedwater
- Heater Charge
- Condensate
- Crystallizers
- Gasoline
- Crude Oil Transfer
- Deep Well
- Inorganic Chemicals
- Catalytic Cracking



PERFORMANCE



Sundyne debuted its first high-head, low-flow pump nearly 50 years ago, and the competition has been playing catch up ever since. The LMV/BMP 341 is available in a heavy duty single stage configuration, featuring a compact footprint and the rugged reliability we've built our reputation on.



Visit our website at: www.sundyne.com

Sundyne Corporation 14845 W. 64th Ave. Arvada, CO 80007 USA 1-866-SUNDYNE (US and Canada), Ph: 1-303-425-0800 Fax: 1-303-425-0896

Sundstrand International S.A. 13-15, Boulevard Eiffel - B.P. 30 21604 Longvic Cedex France Ph: +33 380 38 33 00 Fax: +33 380 38 33 66

Sundyne Marelli Ctra. Madrid-Toledo, Km.30.8 45200 Illescas Toledo, Spain Ph: +34 925 53 45 00 Fax: +34 925 51 16 00

Sundyne HMD Kontro Brampton Road Hampden Park Industrial Estate Eastbourne East Sussex, BN22 9AN Great Britain Ph: +44 1323 452000 Fax: +44 1323 503369

Sundyne Asia Japan Co., Ltd. Odakyu Dai-Ichi Seimei Bldg. 6F 2-7-1, Nishi-Shinjuku Shinjuku-ku, Tokyo 163-0706 Japan Ph +81-3-3344-0911 Fax +81-3-3344-0912

© 2011 Sundyne Corporation All rights reserved. Sundyne LMV / BMP 341; POD 123-2011