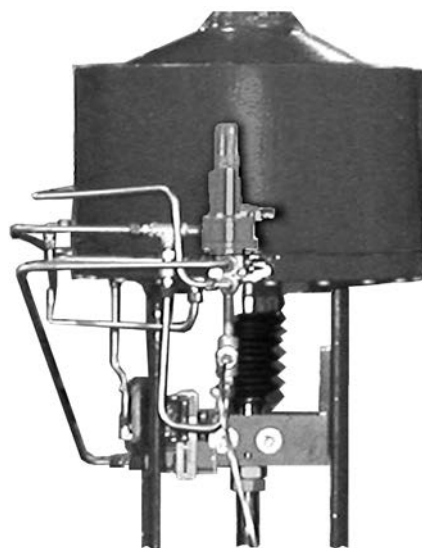


Fisher™ 377 Trip Valve

Contents

Introduction	1
Scope of Manual	1
Description	1
Specifications	2
Educational Services	2
Installation	4
Supply Pressure Requirements	6
Operating Information	8
Calibration	8
Principle of Operation	9
377D Trip Valve	9
377L Trip Valve	10
377U Trip Valve	11
Maintenance	12
Periodic Operational Check	13
Trip Valve Part Replacement Procedures	13
Replacing Diaphragms and Valve Plug Parts	13
Replacing Stem/Plug Assembly Parts	14
Parts Ordering	15
Parts Kits	15
Parts List	15

Figure 1. Fisher 377 Trip Valve Mounted on Size 130 585C Actuator



W8435-1

Introduction

Scope of Manual

This instruction manual provides installation, operation, maintenance, and parts information for the Fisher 377 trip valve. Refer to separate instruction manuals for information regarding the control valve, actuator, and accessories.

Do not install, operate, or maintain a 377 trip valve without being fully trained and qualified in valve, actuator and accessory installation, operation, and maintenance. To avoid personal injury or property damage, it is important to carefully read, understand, and follow all of the contents of this manual, including all safety cautions and warnings. If you have any questions regarding these instructions contact your [Emerson sales office](#) or Local Business Partner before proceeding.

Description

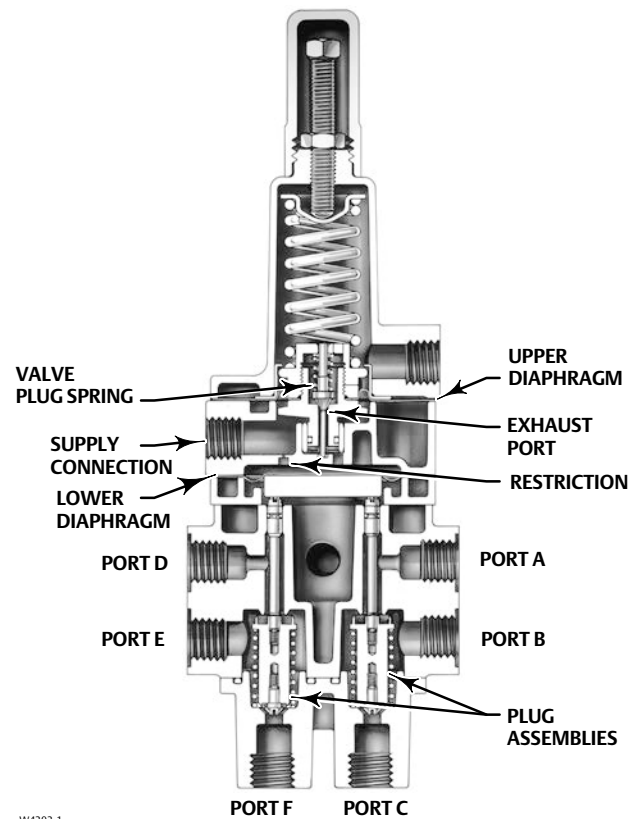
377 pressure-sensing trip valves, shown in figures 1, 2, and 3, are for control applications where a specific valve/actuator action is required when supply pressure falls below a specific point. When supply pressure falls below the trip point, the trip valve cause the actuator to fail up, lock in the last position, or fail down. When the supply pressure rises above the trip point, the 377 trip valve automatically resets, allowing the system to return to normal operation. The trip valve can be top-mounted on a manifold, yoke-mounted, or bracket-mounted to match the application requirements. 377 trip valves are used with all types of piston actuators.

Figure 2. Typical Fisher 377 Trip Valve



W4292-1

Figure 3. Simplified Sectional View of Trip Valve



W4303-1

Specifications

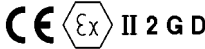
Specifications for 377 trip valves are given in table 1.

Educational Services

For information on available courses for 377 trip valves, as well as a variety of other products, contact:

Emerson Automation Solutions
Educational Services - Registration
Phone: 1-641-754-3771 or 1-800-338-8158
E-mail: education@emerson.com
emerson.com/fishervalvetraining

Table 1. Specifications

<p>Available Configurations</p> <p>377 Trip Valve: Includes check valve, but no volume tank: user configured for locking position. For field use or replacement.</p> <p>When supply pressure falls below the trip point, 377D Trip Valve: Fails actuator piston down. Includes check valve and volume tank.</p> <p>377L Trip Valve: Locks actuator piston in the last position.</p> <p>377U Trip Valve: Fails actuator piston up. Includes check valve and volume tank.</p> <p>377CW Trip Valve: Fails fully clockwise to close valve. Requires check valve and volume tank. Trip valve moves piston to either up/down position and requires actuator configuration for actual clockwise movement.</p> <p>377CCW Trip Valve: Fails fully counterclockwise to close valve. Requires check valve and volume tank. Trip valve moves piston to either up/down position and requires actuator configuration for actual counterclockwise movement.</p> <p>All 377 Trip Valves can be converted to any of the above fail modes with minor hookup changes</p> <p>Allowable Supply Pressure for Trip Valve⁽¹⁾</p> <p>Maximum: 10.3 bar (150 psig) Minimum: 3.8 bar (55 psig)</p> <p>Outlet Pressure</p> <p>Normal Operation: Pressure from control device Fail-Up or Fail-Down Mode: Maximum volume tank pressure Lock-In-Last-Position: Respective cylinder pressure</p> <p>Trip Point⁽²⁾</p> <p>Adjustable from a minimum of 2.8 bar (40 psig) to a maximum of 72 percent of supply pressure; see figure 4 Reset: 12.5 to 33 percent above adjusted trip point</p> <p>Flow Coefficients (C_v)⁽³⁾</p> <p>Depends on flow path (shown in figure 3) as follows:</p> <p>Port A to Port B and Port D to Port E: 0.5 Port B to Port C and Port E to Port F: 0.6</p>	<p>Pressure Connections</p> <p>1/4 NPT internal</p> <p>Temperature Capabilities⁽¹⁾</p> <p>Nitrile Diaphragms and O-Rings: -40 to 82°C (-40 to 180°F) Fluorocarbon Diaphragms and O-Rings: -18 to 104°C (0 to 220°F)</p> <p>Volume Tank Maximum Internal Working Pressure (for 377D, 377U, 377CW and 377CCW trip valves)</p> <p>Standard: 10.3 bar (150 psig) for non-ASME approved applications. See note on page 7. ASME Approved Applications: Rated 10.3 bar (150 psig), maximum; 9.3 bar (135 psig), recommended. See note on page 7.</p> <p>Hazardous Area Classification</p> <p>Complies with the requirements of ATEX Group II Category 2 Gas and Dust</p> <p></p> <p>377 SST</p> <p>Safety Instrumented System Classification SIL 3 capable - certified by exida Consulting LLC</p> <p>Mounting</p> <p>Top-Mounted: Manifold-mounted between a Fisher 3570 positioner and 480 actuator (manifolds cannot be supplied with Fisher 585C, 685, 1061, 1066, and 1069 piston actuators) Side-Mounted: Yoke-mounted or bracket-mounted for use with a FIELDVUE™ DVC6200, DVC6200f, DVC6200p, DVC6000 or DVC6000f digital valve controller</p> <p>Approximate Weight</p> <p>Trip Valve Aluminum: 0.95 kg (2.1 pounds) SST: 2.31 kg (5.1 pounds) Mounting Manifold: 0.5 kg (1.2 pounds) Volume Tank: Varies between 5.4 and 363 kg (12 and 800 pounds) depending on size</p>
--	--

-continued-

Table 1. Specifications (continued)

Declaration of SEP

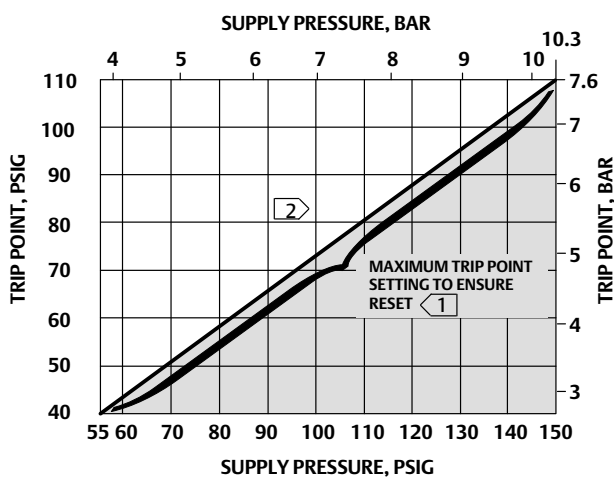
Fisher Controls International LLC declares this product to be in compliance with Article 4 paragraph 3 of the PED Directive 2014/68/EU. It was designed and manufactured in accordance with Sound

Engineering Practice (SEP) and cannot bear the CE marking related to PED compliance.

However, the product *may* bear the CE marking to indicate compliance with *other* applicable European Community Directives.

1. The pressure/temperature limits in this document and any applicable standard or code limitation should not be exceeded.
2. If the trip point is not specified, the trip point is factory set at 72 percent of supply pressure or 2.8 bar (40 psig), whichever is higher.
3. Values represent nominal C_v measures for each port pair using a trip valve/actuator combination.

Figure 4. Maximum Trip Point Settings

**NOTES:**

1. TRIP POINT MAY BE SET TO ANY VALUE BETWEEN 2.8 BAR (40 PSIG) AND THE MAXIMUM TRIP POINT LINE.
2. RESET OCCURS AT 12.5 TO 33 PERCENT ABOVE ADJUSTED TRIP POINT.

A2779-2

Installation

⚠ WARNING

Avoid personal injury from sudden release of process pressure. Before mounting the controller:

- Always wear protective clothing, gloves, and eyewear when performing any installation operations to avoid personal injury.
- Overpressuring any system component could result in personal injury or property damage due to fire and explosion caused by venting or leakage of the supply medium. To avoid such injury or damage, provide suitable pressure-relief or pressure-limiting devices if the supply pressure is capable of exceeding the maximum allowable pressure of the system component.
- Check with your process or safety engineer for any additional measures that must be taken to protect against process media.
- If installing into an existing application, also refer to the WARNING at the beginning of the Maintenance section in this instruction manual.

CAUTION

Do not use sealing tape on pneumatic connections. This instrument contains small passages that may become obstructed by detached sealing tape. Thread sealant paste should be used to seal and lubricate pneumatic threaded connections.

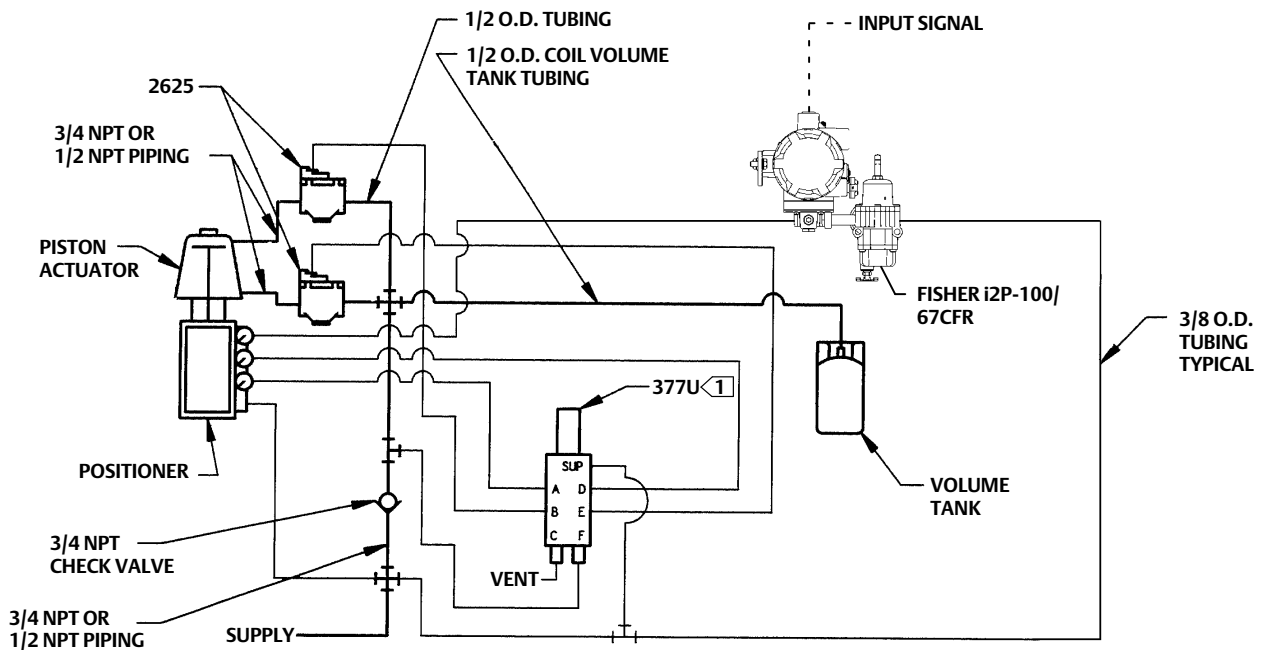
The 377 trip valve is normally ordered as part of a control valve assembly. Follow the procedure in the appropriate valve body and actuator instruction manual when installing the control valve in the piping.

If the 377 trip valve is shipped separately from the control valve assembly, the installation procedure depends upon the type of actuator and accessory equipment required for the individual control valve system. Install any accessory equipment in the control valve system so that the overall functioning of the specified trip valve pressure line connections is not disrupted. Figures 7, 8, and 9 are schematics showing the pressure line connections for each of the three possible fail-mode configurations of the trip valve.

CAUTION

377 trip valves are leak tested to ensure that the intended actuator fail mode is maintained upon loss of supply pressure. Control system accessories, such as volume boosters with hard seats, compromise the integrity of the entire system due to leakage. Therefore, using control system accessories, such as volume boosters, between the trip valve and the actuator is not recommended. If this cannot be avoided and a volume booster is required, a volume booster designed for tight shutoff, such as the Fisher 2625, provides a higher probability of control system integrity. Refer to figures 5 and 6 for proper installation of 377 trip valves with 2625 volume boosters.

Figure 5. Fisher 2625 Volume Booster used with 377U or 377D Trip Valve

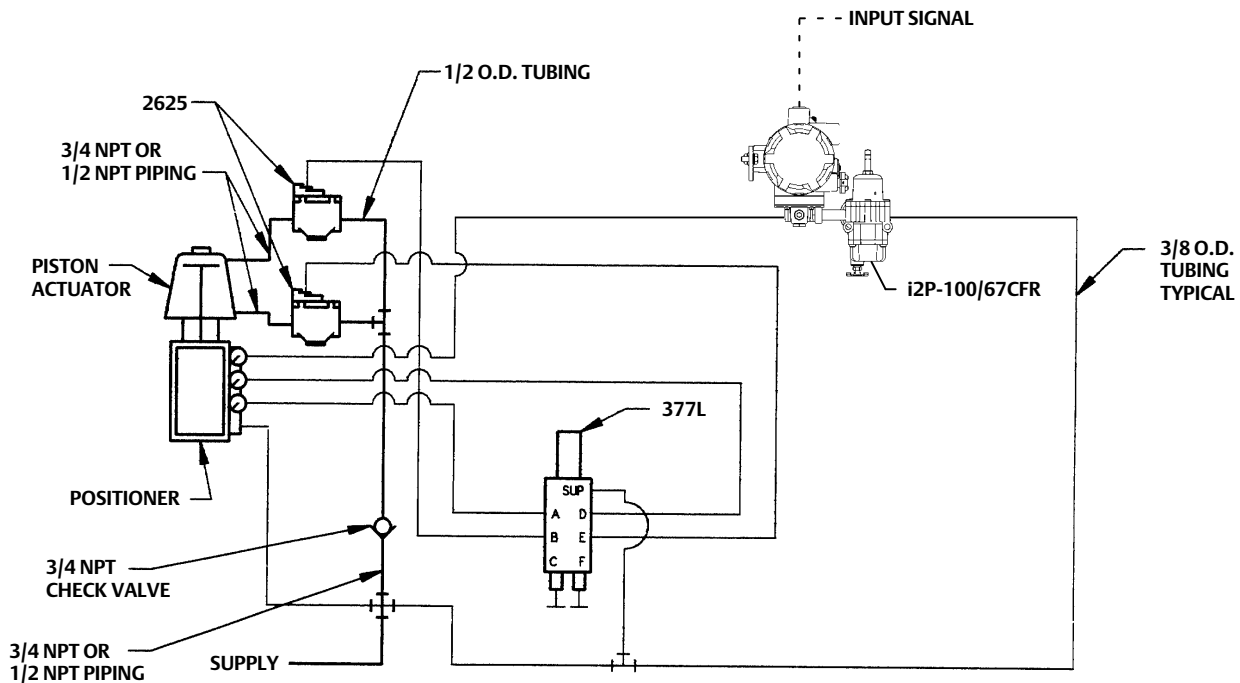


NOTES:

1. THE HOOK UP OF PORT C AND F ARE REVERSED FOR 377D.
2. 3/4 NPT CHECK VALVE, 1/2 OR 3/4 NPT PIPING, AND 1/2-INCH (OUTSIDE DIAMETER) COIL TUBING FOR THE VOLUME TANK ARE REQUIRED.
3. THE SUPPLY PRESSURE REGULATOR SPECIFIED MUST HAVE ADEQUATE CAPACITY FOR 2625 BOOSTERS. ALSO, IF THE 2625 BOOSTER IS TO BE NIPPLE MOUNTED, THE BOOSTER MUST BE MOUNTED TO A 1/2 NPT OR LARGER CYLINDER CONNECTION. SOME SMALLER CYLINDERS CANNOT BE TAPPED THIS LARGE; CONTACT YOUR [EMERSON SALES OFFICE](#) FOR AVAILABILITY ON SPECIFIC TYPES AND SIZES.

E1570

Figure 6. Fisher 2625 Volume Booster used with 377L Trip Valve



NOTES:

1. 3/4 NPT CHECK VALVE AND 1/2 OR 3/4 NPT PIPING ARE REQUIRED.

2. THE SUPPLY PRESSURE REGULATOR SPECIFIED MUST HAVE ADEQUATE CAPACITY FOR 2625 BOOSTERS. ALSO, IF THE 2625 BOOSTER IS TO BE NIPPLE MOUNTED, THE BOOSTER MUST BE MOUNTED TO A 1/2 NPT OR LARGER CYLINDER CONNECTION. SOME SMALLER CYLINDERS CANNOT BE TAPPED THIS LARGE; CONTACT YOUR [EMERSON SALES OFFICE](#) FOR AVAILABILITY ON SPECIFIC TYPES AND SIZES.

E1571

Supply Pressure Requirements

⚠ WARNING

Severe personal injury or property damage may occur if the instrument air supply is not clean, dry, and oil free. While use and regular maintenance of a filter that removes particles larger than 40 micrometers in diameter will suffice in most applications, check with an Emerson Automation Solutions field office and instrument industry air quality standards for use with corrosive gas or if you are unsure about the proper amount or method of air filtration or filter maintenance.

CAUTION

Do not use sealing tape on pneumatic connections. This instrument contains small passages that may become obstructed by detached sealing tape. Thread sealant paste should be used to seal and lubricate pneumatic threaded connections.

A supply regulator, if used, must have a flow capacity greater than the required combined capacity of the trip valve and actuator. In order to ensure proper selection of a supply regulator, be sure the C_v value of the regulator is greater than the appropriate flow path C_v value listed in table 1 for the trip valve. A regulator with insufficient capacity may allow supply pressure to droop, which can cause the trip valve to trip again and begin a trip-reset cycle. An example of an appropriate supply regulator to use with a 377 trip valve is a 64 regulator; its capacity is usually great enough to meet the demands of most trip valve/actuator combinations. Determine the requirements of your trip valve/actuator combination for proper selection of a supply regulator.

Note

During normal operation, an adequately sized supply regulator maintains a greater supply pressure than the pressure demand of the trip valve and control devices. However, if the normal actuator piston position is not relatively close to the actuator piston position during startup, or during the restoration of supply pressure, the regulator supply pressure may droop and cause the trip valve to trip again and begin a trip-reset cycle. To prevent this, perform the following steps:

1. Adjust the instrument (control device) pressure to position the actuator piston as it is positioned in the fail mode.
 2. Restore the supply pressure to the normal operating range.
 3. Manually reset the instrument pressure for normal operation.
-

▲ WARNING

If a flammable or hazardous gas is used as the supply pressure medium, personal injury or property damage could result from fire or explosion of accumulated gas or from contact with hazardous gas. The positioner/ actuator assembly does not form a gas-tight seal, and when the assembly is enclosed, a remote vent line, adequate ventilation, and necessary safety measures should be used. However, a remote vent pipe alone cannot be relied upon to remove all hazardous gas. Vent line piping should comply with local and regional codes and should be as short as possible with adequate inside diameter and few bends to reduce case pressure buildup.

Note

To ensure trip system integrity upon loss of supply pressure, a 377D or 377U trip system requires a volume tank and check valve as shown in figures 7 and 9.

State and local regulations may require the use of ASME approved volume tanks. Determine requirements and applicable regulations for proper volume tank selection.

For ASME approved applications, the volume tank is rated at 10.3 bar (150 psig) internal working pressure, and has a safety valve with a 10.3 bar (150 psig) set pressure mounted on the volume tank for pressure relief. Avoid supply pressure too near the safety valve set pressure. To ensure safety valve seat tightness and longevity, the recommended maximum supply pressure is 9.3 bar (135 psig).

Standard volume tanks supplied in Europe must conform to Directive 2009/105/EC for simple pressure vessels. The maximum pressure rating is stated on the tank.

For standard applications (not ASME approved), a DOT tank is used. This tank is rated at 14.5 bar (240 psig) in LP service. When used with air, the rating should be considered to be 10.3 bar (150 psig), consistent with the maximum pressure allowed for the 377 trip valve.

1. Before installing the trip valve, inspect it to be sure it is free of any foreign material.
2. Be sure all connecting tubing is free of foreign material.
3. Use acceptable piping practices when installing the trip valve. Coat all external threaded connections with a pipe compound.

CAUTION

To avoid damage and possible operational impairment to the trip valve, be careful not to get excessive pipe compound on the connections. Excess compound could result in improper pilot and cylinder valve operation.

CAUTION

To ensure the integrity of control systems utilizing a 2625 volume booster in conjunction with a 377 trip valve, apply supply pressure to the volume booster and to the volume tank (volume tank not required on 377L trip valve) through a check valve. Failure to install the check valve properly will allow the cylinder pressure to bleed back through the open volume booster supply port upon loss of supply pressure. The actuator may not fail as intended.

⚠ WARNING

Personal injury or property damage could result from bursting of parts due to temperature fluctuations or extreme heat. If temperature fluctuations or extreme heat cannot be avoided, use a relief valve to protect the volume tank.

4. Read the following information before making pressure connections:
 - a. Trip valve port A must receive the operating pressure that is intended for the top of the actuator cylinder. Depending on the actuator type and accessories being used, this operating pressure will be from a valve positioner or switching solenoid.
 - b. Trip valve port B must provide operating pressure to the top of the actuator cylinder. Depending on the actuator type and accessories being used, connect this port to the manifold assembly, to the top of the cylinder, or to the cylinder connection on the hydraulic snubber (if one is used).
 - c. Trip valve port C must provide a fail-mode outlet for the operating pressure to or from the top of the actuator cylinder. For the fail-down mode, connect this port to the volume tank. For the fail-up mode, vent this port to atmosphere. For the lock-in-last-position mode, plug this port.
 - d. Trip valve port D must receive the operating pressure that is intended for the bottom of the actuator cylinder. Depending on the actuator type and accessories being used, this operating pressure will be from a valve positioner or switching solenoid.
 - e. Trip valve port E must provide operating pressure to the bottom of the actuator cylinder. Always connect this port to the bottom of the actuator cylinder.
 - f. Trip valve port F must provide a fail-mode outlet for the operating pressure to or from the bottom of the actuator cylinder. For the fail-down mode, vent this port to atmosphere. For the fail-up mode, connect this port to the volume tank. For the lock-in-last-position mode, plug this port.

Operating Information

Calibration

This calibration procedure assumes that the trip valve is mounted on the actuator (or other device) and that all piping and the appropriate volume tank (if necessary) are installed. All key numbers refer to figure 10. For the appropriate fail-mode schematic, see figure 7, 8, or 9.

⚠ WARNING

The following procedure requires taking the trip valve out of service. To avoid personal injury and property damage by an uncontrolled process medium, provide some temporary means of control of the process medium while the trip valve is out of service.

1. Remove the adjusting screw cap (key 1).
2. Loosen the hex nut (key 3), and turn the set screw (key 2) counterclockwise until all loading is removed from the spring (key 6).
3. Connect an adequately sized gauge for the supply pressure reading to the supply line. To make the fail action more visible, adjust the control device signal so that actuator stem movement is visible when the trip valve is actuated.
4. For the lock-in-last-position mode, remove the plugs from ports C and F.
5. Set the supply pressure at the required trip point pressure (refer to table 1 for the trip point limits).

Note

For proper calibration, completely back out the set screw (key 2) until there is no spring compression. Then, set the trip point by turning the set screw clockwise to compress the spring.

6. Slowly turn the set screw clockwise to compress the spring until the trip valve trips. When the trip valve trips in the fail-up or fail-down mode, the actuator stem moves to the appropriate position. In the lock-in-last-position mode, the actuator stem does not move, however, air will be heard escaping from ports C and F. This is because pressure is being released from both sides of the actuator cylinder.
7. Tighten the hex nut (key 3), and install the adjusting screw cap (key 1).
8. For the lock-in-last-position mode, reinstall the plugs in ports C and F.
9. Reset the control device for normal operation.

Principle of Operation

377D Trip Valve

Figure 7 illustrates trip valve operation in the fail-down mode.

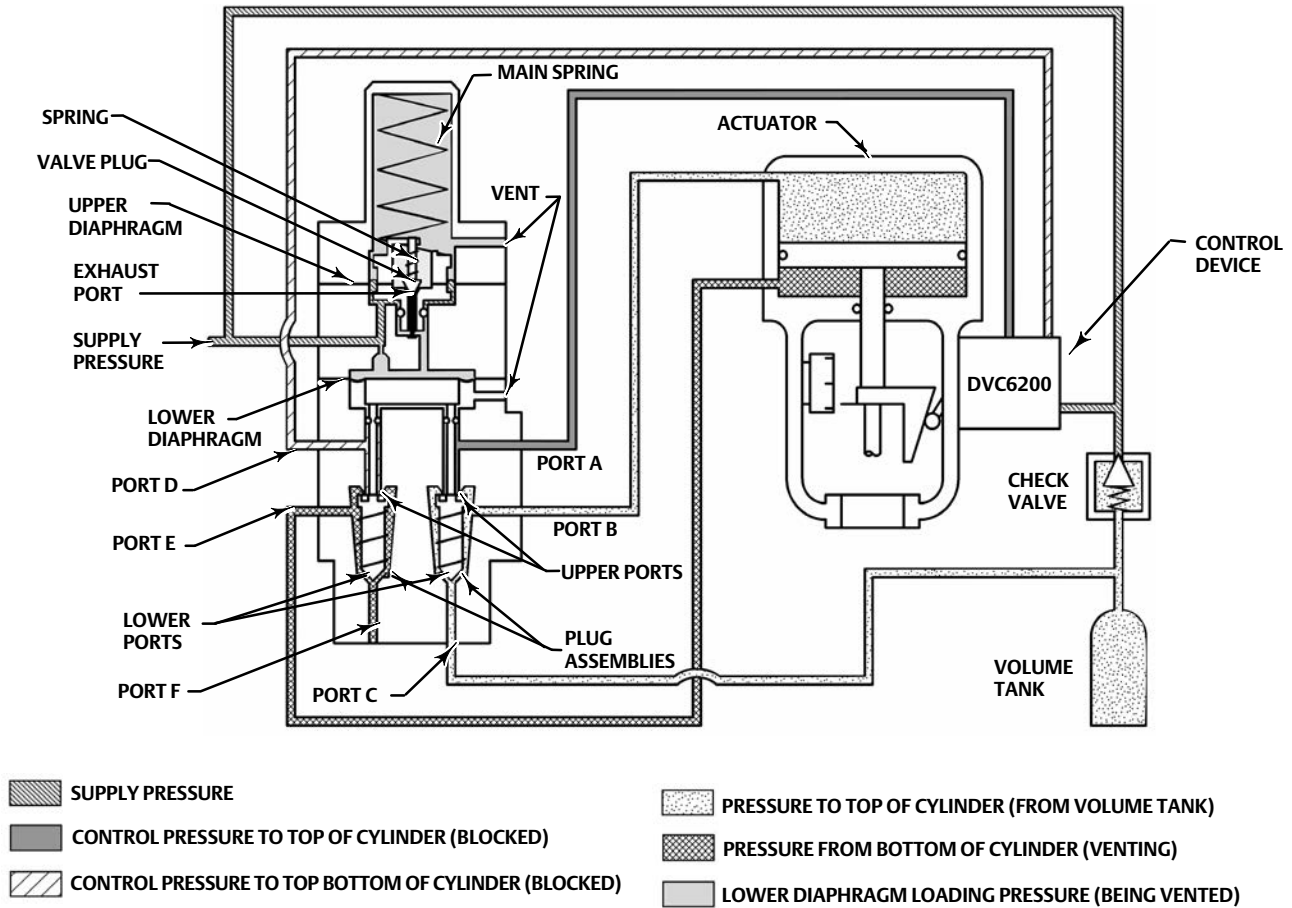
In normal operation, supply pressure loads the upper diaphragm of the trip valve. The valve plug spring keeps the exhaust port closed. Supply pressure also loads the lower diaphragm through the restriction, causing the plug assemblies to move down and isolate ports C and F while connecting port A to B and port D to E. Normal actuator control pressure from the control device is applied to the top of the cylinder through ports A and B and to the bottom of the cylinder through ports D and E. A volume tank is charged to the maximum supply pressure through a check valve. The check valve maintains maximum supply pressure in the volume tank if the supply pressure drops.

When the supply pressure falls below the trip point, the exhaust port opens venting the supply pressure that is loading the lower diaphragm. This causes the upper ports of the plug assemblies to close and disconnect normal pressure from the control device to the actuator.

Volume tank pressure is then applied through ports C and B to the top of the actuator cylinder, while pressure in the bottom of the actuator cylinder is vented through ports E and F. The pressure imbalance created forces the actuator piston down.

When supply pressure is restored, it again loads the upper and lower diaphragms causing the trip valve to reset. The exhaust port closes, the upper ports of the plug assemblies open, and the lower ports close. Normal actuator control pressure from the control device is restored through ports A and B and ports D and E. The check valve opens and recharges the volume tank to the maximum supply pressure.

Figure 7. Fisher 377D Trip Valve Shown in Tripped Condition



GE08412-A
A6905-1

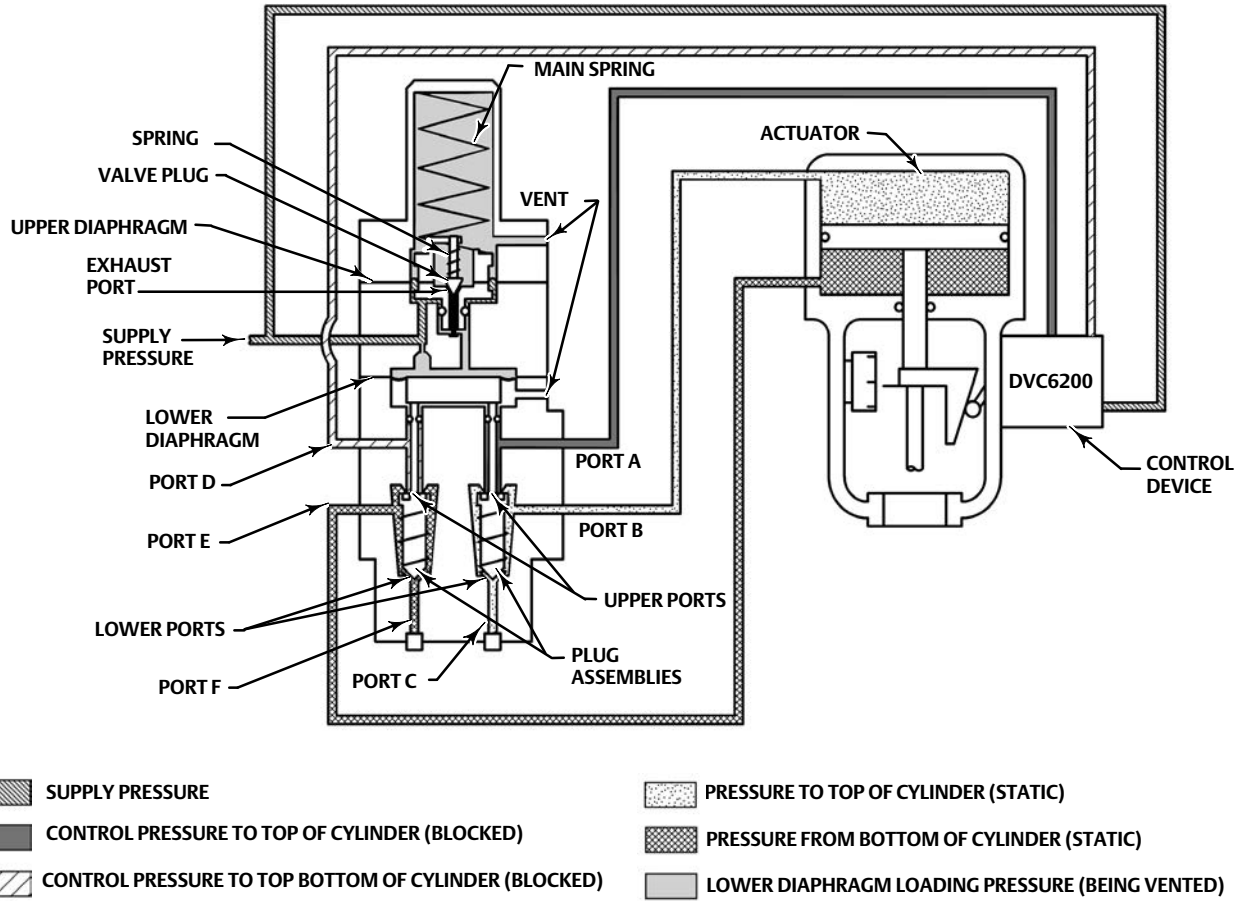
377L Trip Valve

Figure 8 illustrates trip valve operation in the lock-in-last-position mode.

When supply pressure falls below the trip point, the exhaust port opens venting supply pressure from the lower diaphragm. This causes the upper ports of the plug assemblies to close and the lower ports to open. Because ports C and F are plugged, no pressure change occurs on either side of the actuator piston and the piston is pressure-locked in position. No volume tank is necessary in this mode.

When supply pressure is restored, the plug assemblies move back into the normal operating position. Supply pressure from the control device is applied to the actuator through ports A and B and ports D and E.

Figure 8. Fisher 377L Trip Valve Shown in Tripped Condition

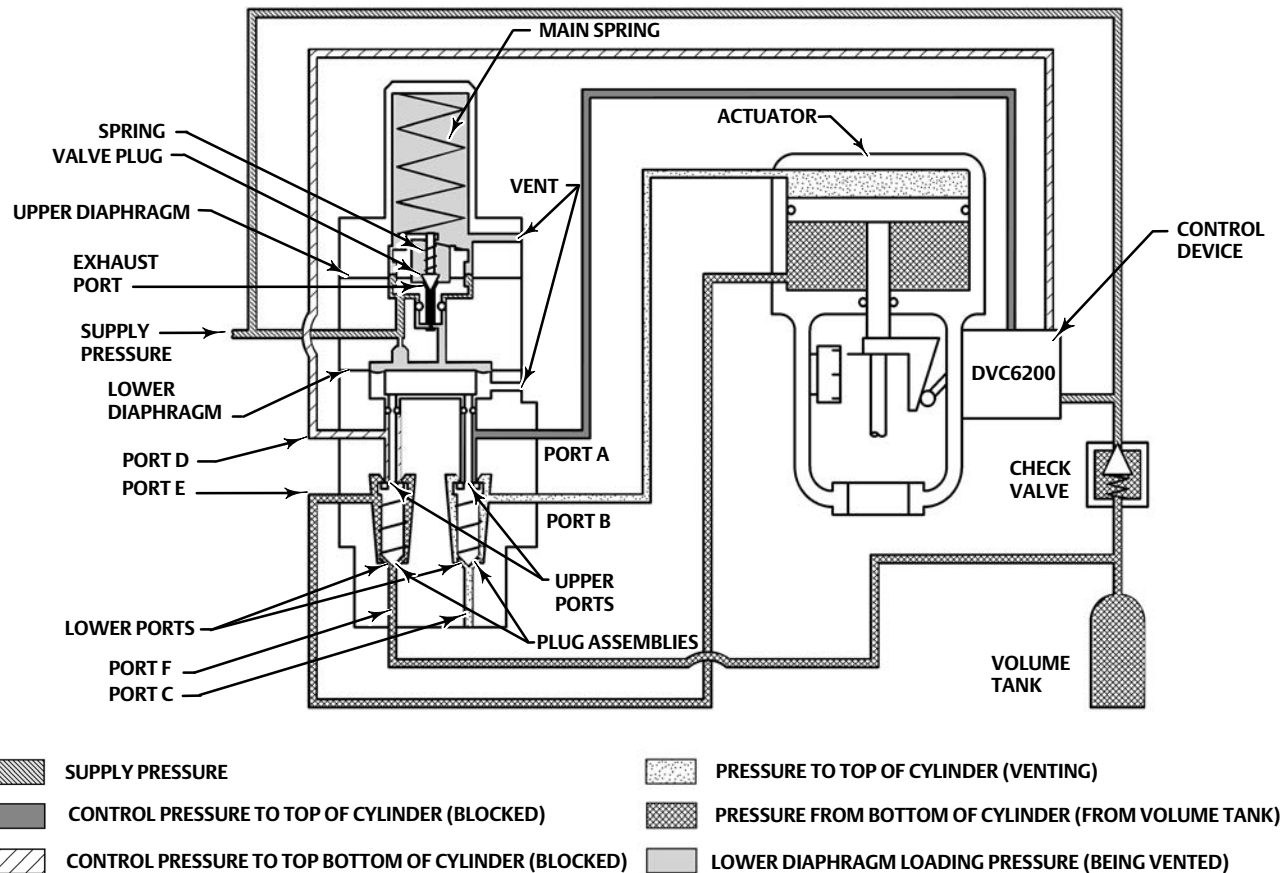


GE08414-A
A6906-1

377U Trip Valve

Figure 9 illustrates trip valve operation in the fail-up mode. The fail-up mode of operation is similar to the fail-down mode of operation except that the connections to port C and F are reversed. When supply pressure falls below the trip point, the top of the actuator cylinder vents, and volume tank pressure loads the bottom of the actuator cylinder. The pressure imbalance created forces the actuator piston up.

Figure 9. Fisher 377U Trip Valve Shown in Tripped Condition

GE08413-A
A2284-6

Maintenance

Trip valve parts are subject to normal wear so the trip valve must be actuated periodically to determine if it is working properly. If the trip valve does not work properly, use the following procedures to inspect and repair or replace parts as necessary. The frequency of inspection and repair or replacement depends upon the severity of service conditions. Be sure to note the location of all pressure connections to ensure proper trip valve installation upon reassembly, or use the installation procedures in this instruction manual. All key numbers refer to figure 10 unless otherwise indicated.

⚠ WARNING

Avoid personal injury or property damage from sudden release of process pressure or bursting of parts. Before performing any maintenance operations:

- Always wear protective clothing, gloves, and eyewear when performing any maintenance operations to avoid personal injury.
- Do not remove the actuator from the valve while the valve is still pressurized.

- **Disconnect any operating lines providing air pressure, electric power, or a control signal to the actuator. Be sure the actuator cannot suddenly open or close the valve.**
 - **Use bypass valves or completely shut off the process to isolate the valve from process pressure. Relieve process pressure from both sides of the valve. Drain the process media from both sides of the valve.**
 - **Vent the power actuator loading pressure and relieve any actuator spring precompression.**
 - **Use lock-out procedures to be sure that the above measures stay in effect while you work on the equipment.**
 - **Check with your process or safety engineer for any additional measures that must be taken to protect against process media.**
-

Periodic Operational Check

⚠ WARNING

The following procedure requires taking the trip valve out of service. To avoid personal injury and property damage by uncontrolled process medium, provide some temporary means of control of the process medium while the trip valve is out of service.

1. Isolate the actuator/valve assembly from the process loop.
2. Provide a means of monitoring the supply pressure input to the trip valve.
3. Starting with normal supply pressure applied to the trip valve, slowly reduce the supply pressure until the trip valve trips. The trip valve should trip at the pressure set during the calibration procedures.
4. Increase the supply pressure until the trip valve resets. This should occur at a supply pressure 12.5 to 33 percent above the trip point.
5. If the trip valve fails to trip and reset at the calibrated settings, refer to the calibration procedures.
6. If the trip valve will not calibrate, continue with the following maintenance procedures.

Trip Valve Part Replacement Procedures

⚠ WARNING

Refer to the WARNING at the beginning of the Maintenance Section in this instruction manual.

Isolate the control valve from the line pressure, release pressure from both sides of the valve body, and drain the process media from both sides of the valve. If using a power actuator, also shut off all pressure lines to the power actuator, release all pressure from the actuator. Use lock-out procedures to be sure that the above measures stay in effect while you work on the equipment.

Replacing Diaphragms and Valve Plug Parts

CAUTION

Care must be taken during the following procedure to prevent damage to the upper diaphragm.

1. Remove the adjusting screw cap (key 1), and loosen the hex nut (key 3) that locks the set screw (key 2). Loosen the set screw to remove all spring compression.
2. Remove the cap screws (key 7, not shown) from the spring case, and lift off the body assembly (key 16) and attached parts from the trip valve body (key 21). Note the orientation of the vent and supply connections to the body (see figure 1).
3. Remove the cap screws (key 20, not shown) and separate the diaphragm (key 17), diaphragm spacer (key 19), and the pusher plate (key 18) from the rest of the body assembly. Lift off the spring case (key 4), travel stop (key 75, aluminum housing only), upper spring seat (key 5), and spring (key 6).
4. Take out the upper diaphragm assembly (keys 8, 9, 10, 11, 12, 13, 14, and 15).
5. Carefully unscrew the spring seat (key 9) from the upper diaphragm retainer (key 13). Be careful not to lose the valve plug (key 14), valve guide (key 8), and spring (key 10). Also be careful not to damage the upper diaphragm (key 12).
6. Inspect the upper diaphragm, valve plug, body assembly, and O-ring (key 15) for nicks, scratches, or cuts that could cause leakage. Replace parts as necessary. Make sure the O-ring (key 15) is properly lubricated (key 77) to avoid leakage past the O-ring.
7. With the spring (key 10), spring seat (key 9), valve plug (key 13), valve guide (key 8), diaphragm washer (key 11), and upper diaphragm (key 12) in place, screw the upper diaphragm retainer (key 13) and spring seat (key 9) together, being careful not to damage the diaphragm.
8. Inspect the lower diaphragm (key 17) and pusher plate (key 18), and replace them if damaged or excessively worn.
9. Place the upper diaphragm assembly (keys 8, 9, 10, 11, 12, 13, 14, and 15), travel stop (key 75, aluminum housing only), spring (key 6), upper spring seat (key 5), diaphragm spacer (key 19), pusher plate (key 18), and diaphragm (key 17) onto the body assembly (key 16). Secure the body assembly parts to the spring case (key 4) with the cap screws (key 20). Position the supply and vent connections as noted in step 2.
10. Note the orientation of the supply connection to the body (see figure 1). Attach the assembly, from step 9, to the body (key 21) with the cap screws (key 7, not shown). Tighten the screws.
11. Refer to the installation and calibration procedures.

Replacing Stem/Plug Assembly Parts

1. Remove the cap screws (key 76, not shown) from the body (key 21), and remove the manifold (key 73) and the stem/plug assemblies (keys 22, 23, 24, 26, and 27).
2. Inspect the upper and lower O-rings (keys 23 and 26) for nicks or wear. If the lower O-ring needs to be replaced, remove the O-ring retainer screw (key 27) before installing the new O-ring. The upper O-ring simply slips over the end of the stem (key 22). Lightly lubricate O-rings (key 77) prior to reassembly.
3. Inspect the stem/plug assemblies, inspect the valve seats in the body (key 21), and replace any parts if necessary.
4. When stem/plug assembly maintenance procedures are complete, carefully slide the stem/plug assemblies (keys 22, 23, 24, 26, and 27) and springs (key 25) into the body. Attach the manifold (key 73) to the bottom of the body (key 21), and tighten the screws (key 76).
5. Refer to the installation and calibration procedures.

Parts Ordering

When corresponding with your [Emerson sales office](#) or Local Business Partner about this equipment, always refer to the trip valve serial number which is located on the nameplate. Refer to table 2 for common parts. Contact your Emerson sales office or Local Business Partner if part numbers are needed.

⚠ WARNING

Use only genuine Fisher replacement parts. Components that are not supplied by Emerson Automation Solutions should not, under any circumstances, be used in any Fisher trip valve. Use of components not supplied by Emerson Automation Solutions may void your warranty, might adversely affect the performance of the instrument, and could cause personal injury and property damage.

Parts Kits

Description	Part Number
Repair Kit	
Kit include valve plugs, stems, plug assemblies, and nitrile diaphragms, O-rings, and gasket (keys 12, 14, 15, 17, 22, 23, 24, 26, 29, 63, 74, and 89).	
Aluminum Construction	R377X000012
Stainless Construction	R377X000032

Parts List

Table 2. Common Parts

KEY NUMBER	DESCRIPTION	QUANTITY REQUIRED	MATERIAL	
			Trip Valve Construction	
			Aluminum	Stainless Steel
1	Adjusting screw cap		Plastic	Plastic
2	Set screw		Pl steel	S31600 (316 SST)
3	Hex nut		Pl steel	S31600
4	Spring case		Aluminum	CF3M SST casting (316L SST, cast)
5	Upper spring seat		Pl steel	S31600
6	Spring		Pl steel	S30200 (302 SST)
7	Cap screw (not shown)	4	Pl steel	S31600
8	Valve guide		Anodized aluminum/TFE	S31603 (316L SST)
9	Spring, seat		Aluminum	Stainless steel
10	Spring		Pl steel	S30200
11	Diaphragm washer		Aluminum	Stainless steel
12	Diaphragm		Nitrile ⁽¹⁾ Fluorocarbon	Nitrile ⁽¹⁾ Fluorocarbon
13	Diaphragm retainer		Anodized aluminum/TFE	S31603
14	Valve plug		Brass/nitrile ⁽¹⁾ Brass/fluorocarbon	SST/nitrile ⁽¹⁾ SST/fluorocarbon

1. Included in Repair Kit

-continued-

Table 2. Common Parts (continued)

KEY NUMBER	DESCRIPTION	QUANTITY REQUIRED	PART MATERIAL	
			Trip Valve Construction	
			Aluminum	Stainless Steel
15	O-ring		Nitrile ⁽¹⁾ Fluorocarbon	Nitrile ⁽¹⁾ Fluorocarbon
16	Pilot body assembly		Aluminum/anodized aluminum	CF3M SST casting (316L SST, cast)
17	Diaphragm		Nitrile ⁽¹⁾ Fluorocarbon	Nitrile ⁽¹⁾ Fluorocarbon
18	Pusher plate		Aluminum	S31603 (316L SST)
19	Diaphragm spacer		Aluminum	CF3M SST casting
20	Cap screw (not shown)	4	PI steel	S31600 (316 SST)
21	Body		Aluminum	CF3M SST casting
22	Stem ⁽¹⁾	2	Stainless steel	S31603
23	O-ring	2	Nitrile ⁽¹⁾ Fluorocarbon	Nitrile ⁽¹⁾ Fluorocarbon
24	Plug assembly	2	Brass/chloroprene ⁽¹⁾ Brass/fluorocarbon	S31603/chloroprene S31603/fluorocarbon
25	Spring	2	PI steel	S30200 (302 SST)
26	O-ring	2	Nitrile ⁽¹⁾ Fluorocarbon	Nitrile ⁽¹⁾ Fluorocarbon
27	O-ring retainer screw	2	Stainless steel	S30300 (303 SST)
29	O-ring (top-mounted only)	2	Nitrile ⁽¹⁾ Fluorocarbon	Nitrile ⁽¹⁾ Fluorocarbon
30	Cap screw top mounted yoke mounted bracket mounted	2 1 1	PI steel	Stainless steel
31	Manifold assembly		Aluminum	Aluminum
32	Cap screw (use w/manifold assembly) (not shown)	2	PI steel	Stainless steel
33	Cap screw (not shown) yoke mounted bracket mounted		Steel	Stainless steel
34	Pipe plug (for 377L only) (not shown)	2	Brass, use with all actuators except 1069 S31600, use with 1069 actuator	S31600
35	Pipe plug (boss or bracket mounted w/o manifold assembly for 480-16 only) (not shown)		PI steel	Stainless steel
36	Check valve, (for 377D, 377U 377CW and 377CCW only) (not shown) For use w/o 2625 For use with 2625		Brass or S31600	S31600
37	Vent assembly (not shown) Top mounted 377D, 377U 377CW and 377CCW Top or boss mounted 377D, 377U 377CW and 377CCW with flow control valve Boss mounted 377D, 377L, 377U, 377CW and 377CCW	1 1 2	Plastic	Plastic
37	Flow control valve (optional on 377D, 377U 377CW and 377CCW trip valves)		Stainless steel	Stainless steel
39	Lithium grease (not furnished with trip valve)			

1. Included in Repair Kit

-continued-

Table 2. Common Parts (continued)

KEY NUMBER	DESCRIPTION	QUANTITY REQUIRED	PART MATERIAL	
			Trip Valve Construction	
			Aluminum	Stainless Steel
44	Volume Tank (for 377D, 377U, 377CW, and 377CCW only) (not shown) Standard 11.8 L / 721 inch ³ / 3.1 gal 21.6 L / 1315 inch ³ / 5.7 gal 32.3 L / 1970 inch ³ / 8.5 gal 42.9 L / 2615 inch ³ / 11.3 gal 65.6 L / 4001 inch ³ / 17.3 gal 131 L / 8002 inch ³ / 34.6 gal (requires two 4001 inch ³ volume tanks) ASME Approved (use w/safety valve) Canadian Registered 8.5L / 518 inch ³ / 2.2 gal 24.9 L / 1520 inch ³ / 6.6 gal 30.0 L / 1831 inch ³ / 7.9 gal 42.8 L / 2609 inch ³ / 11.3 gal 68.8 L / 4199 inch ³ / 18.1 gal 71.6L / 4371 inch ³ / 18.9 gal 143.3 L / 8742 inch ³ / 37.86 gal (requires two 4371 inch ³ volume tanks) 114 L / 6930 inch ³ / 30 gal 227 L / 13860 inch ³ / 60 gal 303 L / 18480 inch ³ / 80 gal 454 L / 27720 inch ³ / 120 gal 908 L / 55440 inch ³ / 240 gal		Alloy steel	S31600 (316 SST)
45	Pipe bushing For standard volume tanks w/o 2625 For standard volume tanks w/2625 or ASME approved volume tanks	1 req'd per volume tank	Pl steel	S31600
46	Pipe tee For two standard volume tanks w/o 2625 For two standard volume tanks w/2625 or two ASME approved volume tanks For one ASME approved volume tank w/o 2625 For one ASME approved volume tank w/2625		Galvanized iron	S31600
47	Pipe nipple For two standard volume tanks w/o 2625 For two standard volume tanks w/2625 or two ASME approved volume tanks or one ASME approved volume tank w/o 2625 For one ASME approved volume tank w/2625		Galvanized steel	S31600
48	Safety valve, for ASME approved volume tanks		Brass and steel	S31600
49	Connector For two standard volume tanks w/o 2625 For two standard volume tanks w/2625 or two ASME approved volume tanks	2	Brass	S31600
51	Volume tank tubing 7.6 m (25 foot) coil 1/4 O.D. 1/2 O.D.		Copper	S31600
61	Pipe cross, for two ASME approved volume tanks only			S31600
63	O-ring (use w/manifold assembly)		Nitrile ⁽¹⁾ Fluorocarbon	Nitrile ⁽¹⁾ Fluorocarbon
64	Screen (not shown) For top mounted 377D, 377U, 377L, 377CW and 377CCW (2 req'd) For 377D, 377U, 377CW or 377CCW with speed control valve (1 req'd)		Stainless steel	Stainless steel

1. Included in Repair Kit

-continued-

Table 2. Common Parts (continued)

KEY NUMBER	DESCRIPTION	QUANTITY REQUIRED	PART MATERIAL	
			Trip Valve Construction	
			Aluminum	Stainless Steel
65	Screen (not shown) For boss mounted 377D, 377U, 377CW or 377CCW		Stainless steel	Stainless steel
71	Spring retainer spacer (use w/ manifold assembly) (not shown)		Stainless steel	Stainless steel
73	Manifold		Aluminum	CF3M SST casting (316L SST, cast)
74	O-ring	2	Nitrile ⁽¹⁾ Fluorocarbon	Nitrile ⁽¹⁾ Fluorocarbon
75	Travel stop		PI steel	(2)
76	Cap screw (not shown)	2	PI steel	S31600 (316 SST)
77	Silicone-based lubricant (not furnished with trip valve)			
78	Cap Screw (not shown), Bracket mounted	2	PI steel	Stainless steel
79	Lockwasher (not shown), Bracket mounted	4	PI steel	Stainless steel
80	Hex nut (not shown), Bracket mounted	2	PI steel	Stainless steel
88	Washer (not shown), Bracket mounted	2	PI steel	Stainless steel
89	Gasket Standard High temperature		Nitrile nylon ⁽¹⁾ Polyacrylate/nylon	Nitrile nylon ⁽¹⁾ Polyacrylate/nylon
95	Mounting plate (not shown), Bracket mounted		PI steel	Stainless steel

1. Included in Repair Kit
2. Not required for stainless steel trip valve.

Fittings

Note

The following is a list of tubing fittings and pipe fittings used for trip valve installation. Key numbers and quantities are not shown due to the variations in piping arrangements possible. To order replacement fittings, determine the part name, size, and number of replacements required and contact your [Emerson sales office](#) or Local Business Partner.

Description

Pipe Tee, galvanized iron or stainless steel
1/4 NPT
3/4 NPT

Description

Pipe Nipple, galvanized or stainless steel
1/4 NPT
3/4 NPT

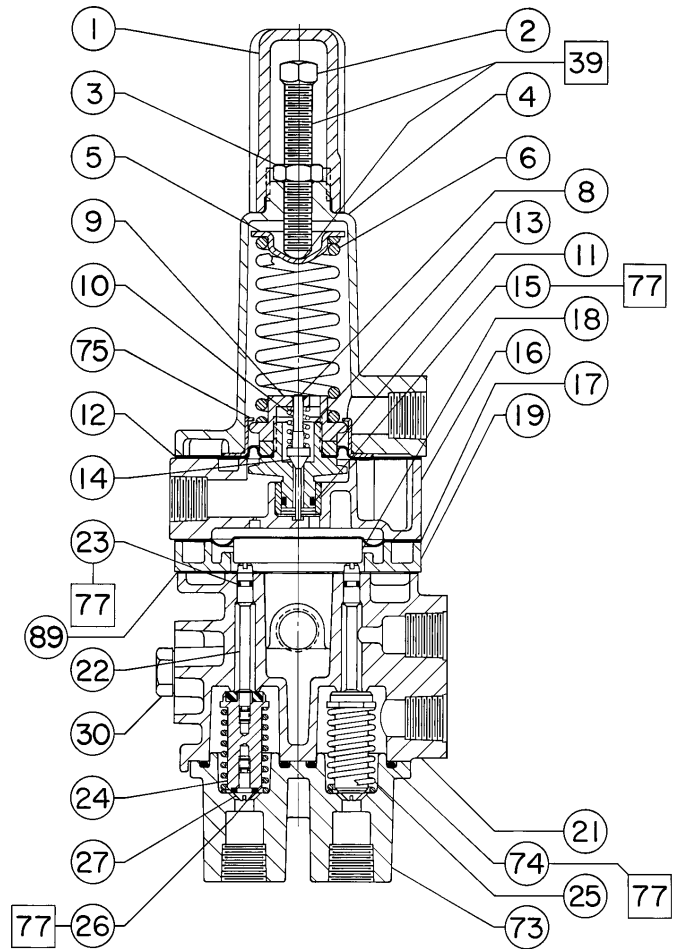
Connector, brass or stainless steel
1/4 NPT x 1/4 O.D.
1/4 NPT x 3/8 O.D.
1/2 NPT x 1/2 O.D.

Elbow, brass or stainless steel
1/4 NPT x 3/8 O.D.

Pipe cross, galvanized iron or stainless steel
1/4 NPT
3/4 NPT

Pipe Bushing, plated or stainless steel
3/4 NPT x 1/4 NPT
3/4 NPT x 1/2 NPT

Figure 10. Trip Valve Assembly

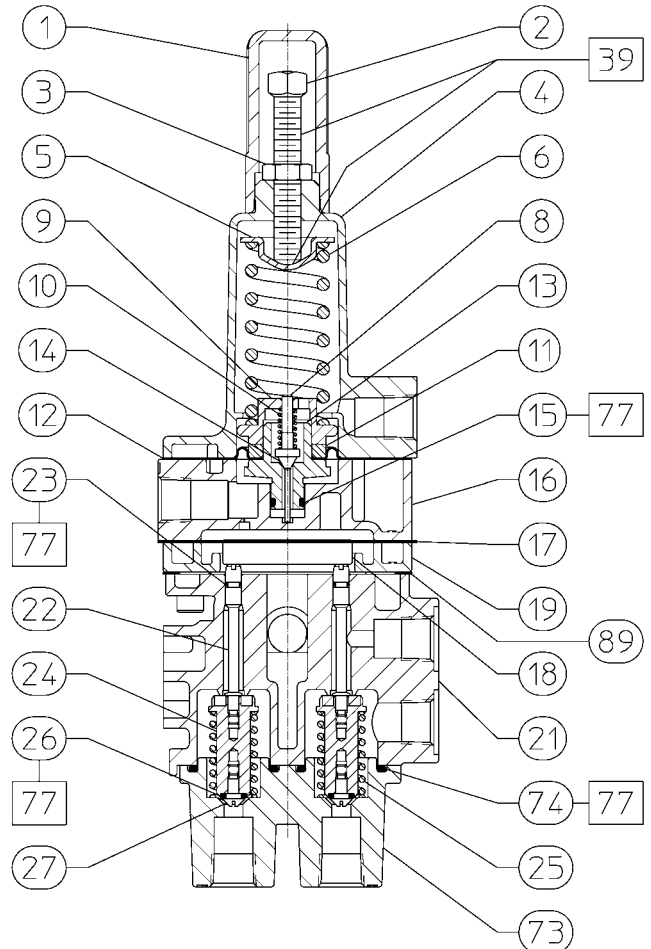


NOTE: KEY NUMBERS 7, 20, 64, 65, 76, 78, 79, 80, 88 NOT SHOWN

□ APPLY LUB

49A3195-C

ALUMINUM CONSTRUCTION



NOTE: KEY NUMBERS 7, 20, 30, 33, 36, 37, 64, 65, 76, 78, 79, 80, 88 NOT SHOWN

□ APPLY LUB

GE51600-A

STAINLESS STEEL CONSTRUCTION

Neither Emerson, Emerson Automation Solutions, nor any of their affiliated entities assumes responsibility for the selection, use or maintenance of any product. Responsibility for proper selection, use, and maintenance of any product remains solely with the purchaser and end user.

Fisher and FIELDUVE are marks owned by one of the companies in the Emerson Automation Solutions business unit of Emerson Electric Co. Emerson Automation Solutions, Emerson, and the Emerson logo are trademarks and service marks of Emerson Electric Co. All other marks are the property of their respective owners.

The contents of this publication are presented for informational purposes only, and while every effort has been made to ensure their accuracy, they are not to be construed as warranties or guarantees, express or implied, regarding the products or services described herein or their use or applicability. All sales are governed by our terms and conditions, which are available upon request. We reserve the right to modify or improve the designs or specifications of such products at any time without notice.

Emerson Automation Solutions

Marshalltown, Iowa 50158 USA

Sorocaba, 18087 Brazil

Cernay, 68700 France

Dubai, United Arab Emirates

Singapore 128461 Singapore

www.Fisher.com

